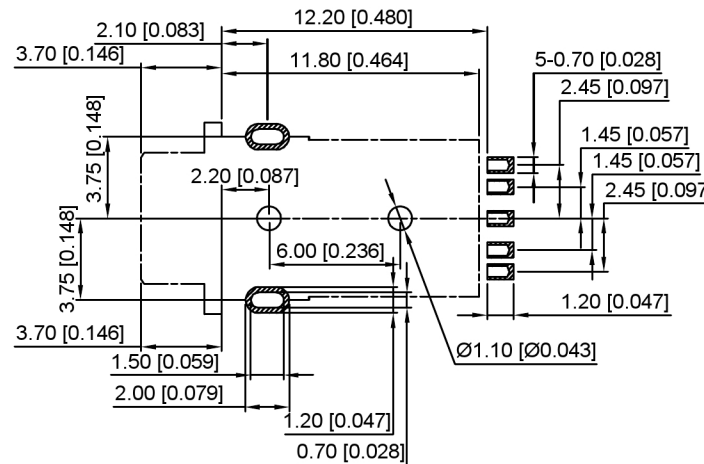
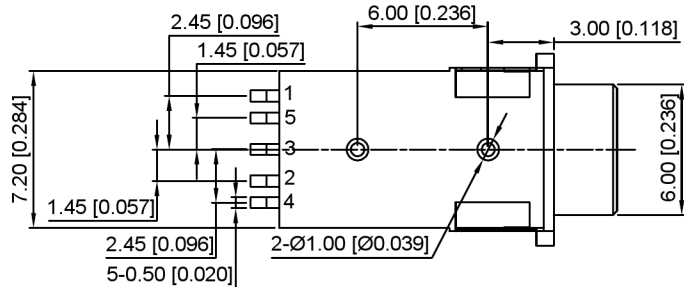
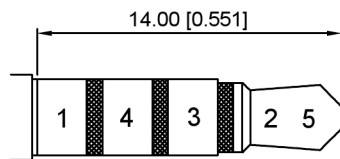
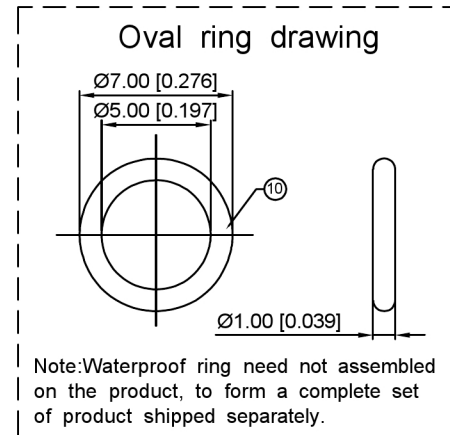


CIRCUIT DIAGRAM



P.C.B LAYOUT



Ø3.5 MATE PULG

Rating:0.5A 30V DC.
 Contact resistance:100 MΩ MAX.
 Operating temperature:-20℃~70℃.
 Operating force: 3-20N.
 Operating life: 10,000 cycles.

- | | | |
|--------------------------|------------|-------------|
| 1.Glue water: EROXY | Quantity 1 | Color:BLACK |
| 2.Cover: HIGH TEMP | Quantity 1 | Color:BLACK |
| 3.Housing: HIGH TEMP | Quantity 1 | Color:BLACK |
| 4.Terminal: copper alloy | Quantity 5 | Au plated |
| 5.Oval ring | | |
| 6.Bond | | |

广东星坤科技股份有限公司

Δx	日期
Δx	日期
Δx	日期
MARK	DESCRIPTION

REVISIONS	DATE	REVISED	APPROVED	UNSPECIFIED TOLERANCES

DSND	DATE	SCALE: N/A	MODEL TYPE: 3.5 PHONE JACI
DWN	DATE	VIEW:	PART NO.:
CHKD	DATE	UNIT: mm/in	DWG NO.: PJ-3254A-SMT
APPD	DATE	SIZE: A4	

文件工程章