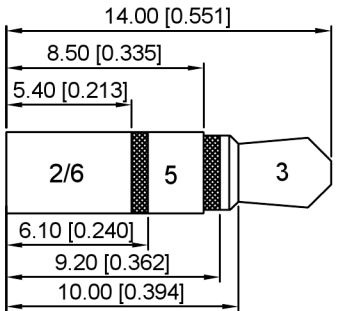
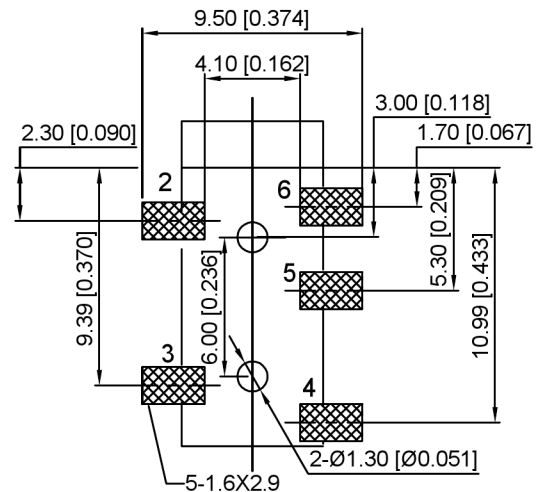
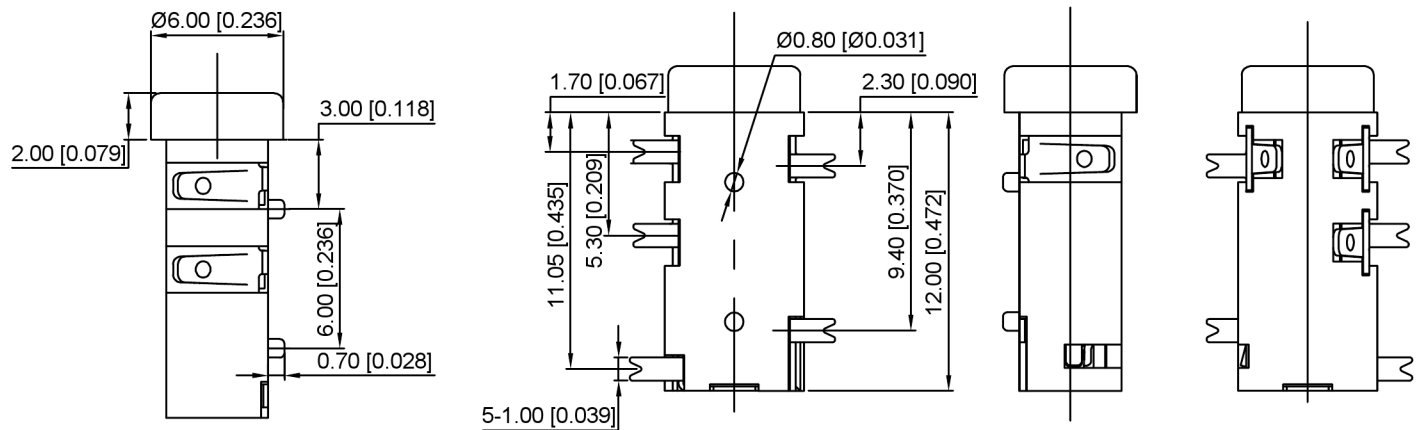
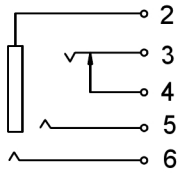


五金帽截面图



P.C.B LAYOUT TOP VIEW



	MATERIAL	PLATING
terminal 2	Phosphor Bronze	Gold
terminal 3	Phosphor Bronze	Gold
terminal 4	Phosphor Bronze	Gold
terminal 5	Phosphor Bronze	Gold
terminal 6	Phosphor Bronze	Gold
plastic	High Temp. Thermoplastic	

广东星坤科技股份有限公司

Δx		日期
Δx		日期
Δx		日期
MARK	DESCRIPTION	DATE

文件工程章

REVISIONS	DATE	REVISED	APPROVED

UNSPECIFIED TOLERANCES



DSND	SCALE: N/A	MODEL TYPE: 3.5 PHONE JACK
DWN	VIEW:	PART NO.: PJ-327U-SMT
CHKD	UNIT: mm/in	DWG NO.:
APPD	SIZE: A4	

XKB INDUSTRIAL PRECISION CO., LIMITED

WEIGHT	SHEET	REVISI
	1/1	A0