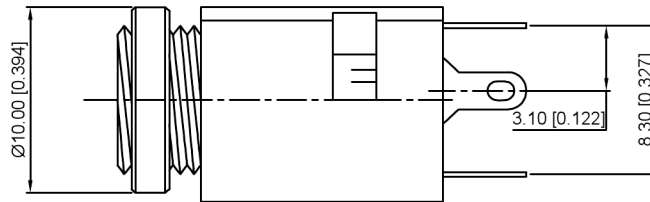
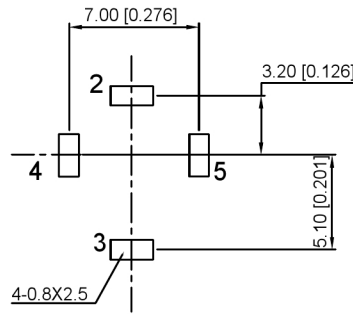
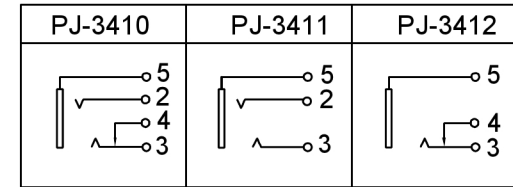


SCHEMATIC



SPECIFICATIONS:

RATING: 12V DC @ 1A

CONTACT RESISTANCE: 30m OHMS MAX

INSULATION RESISTANCE: 50M OHMS MIN: 100V DC

VOLTAGE WITHSTAND: 500V AC R.M.S. FOR 1 MINUTE

LIFE: 5,000 CYCLES

	MATERIAL	PLATING
terminal 2	Phosphor Bronze	tin
terminal 3	Phosphor Bronze	tin
terminal 4	Brass	tin
terminal 5	Phosphor Bronze	tin
plastic	Pbt	

广东星坤科技股份有限公司

ΔX		日期
ΔX		日期
ΔX		日期
MARK	DESCRIPTION	

文件工程章

REVISIONS	DATE	REVISED	APPROVED	UNSPECIFIED TOLERANCES
				ANGULAR ±5°
				L ≤ 4 ±0.2
				4 < L ≤ 16 ±0.3
				16 < L ≤ 63 ±0.4
				L > 63 ±0.5

www.helloxkb.com www.helloxkb.cn www.xk-dg.cn



DSND		SCALE: N/A	MODEL TYPE: 3.5 PHONE JACK
DWN		VIEW:	PART NO.: PJ-341X
CHKD		UNIT: mm/in	DWG NO.:
APPD		SIZE: A4	
XKB INDUSTRIAL PRECISION CO., LIMITED			WEIGHT
			SHEET
			REVISIC
			1/1
			A0