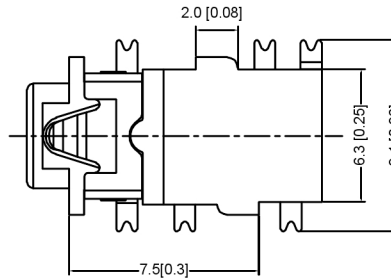
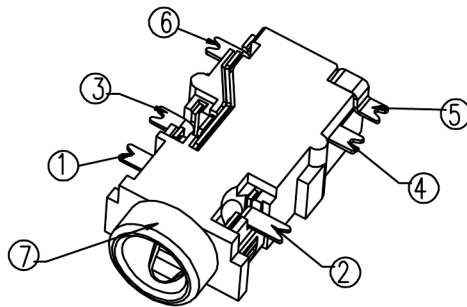
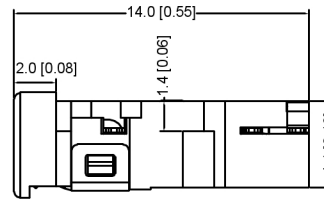
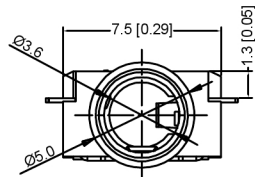


PCB LAYOUT TOP VIEW
TOLERANCES:±0.05



⑦	HOUSING	1	HIGH TEMP.THERMOPLASTIC	Black
⑥	TERMINAL 6#	1	COPPER ALLOY t=0.20	Au-Plated
⑤	TERMINAL 5#	1	COPPER ALLOY t=0.20	Au-Plated
④	TERMINAL 4#	1	COPPER ALLOY t=0.20	Au-Plated
③	TERMINAL 3#	1	COPPER ALLOY t=0.20	Au-Plated
②	TERMINAL 2#	1	COPPER ALLOY t=0.20	Au-Plated
①	TERMINAL 1#	1	COPPER ALLOY t=0.20	Au-Plated
NO	PART NAME	QTY	MATERIAL(THICK)	PLATING(COLOR)

广东星坤科技股份有限公司

ΔX	日期
ΔX	日期
ΔX	日期
MARK	DESCRIPTION

						ANGLAR	±5°
						L ≤ 4	±0.2
						4 < L ≤ 16	±0.3
						16 < L ≤ 63	±0.4
						L > 63	±0.5
						UNSPECIFIED TOLERANCES	



DSND		SCALE: N/A	MODEL TYPE: 3.5 PHONE JACK
DWN		VIEW:	PART NO.: PJ-342D
CHKD		UNIT: mm/in	DWG NO.:
APPD		SIZE: A4	
		WEIGHT	SHEET
			1/1
		REVISIC	A0

文件工程章

REVISIONS	DATE	REVISED	APPROVED	UNSPECIFIED TOLERANCES
-----------	------	---------	----------	------------------------

XKB INDUSTRIAL PRECISION CO., LIMITED

www.helloxkb.com www.helloxkb.cn www.xk-dg.cn