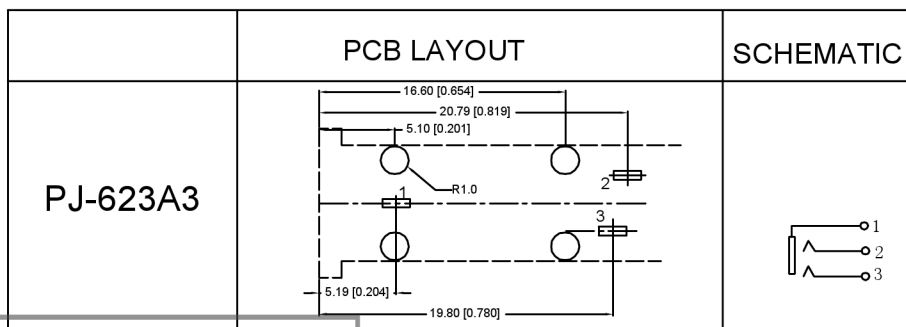


**SPECIFICATION**

1. Rating : DC 30V 1.0A;
2. Contact resistance:  $\leq 0.03\Omega$ ;
3. Insulation resistance:  $\geq 100M\Omega$  (DC250V);
4. Withstand voltage: 500VAC ;
5. Insertion and extraction force: 5-30N;
6. life test: 5,000 cycles。



6	AXIS SUPPORT	1	BRASS	Ni-Plating
5	COVER	1	PBT	
4	3 CONTACT FOOT	1	BRONZE	CuSn-Plating
3	2 CONTACT FOOT	1	BRONZE	CuSn-Plating
2	1 CONTACT FOOT	1	BRONZE	CuSn-Plating
1	OUSING	1	PBT	
NO.	DESCRIPT	QTY	MATERIAL	PLATING

广东星坤科技股份有限公司

日期

文件工程章

REVISIONS	DATE	REVISED	APPROVED	UNSPECIFIED TOLERANCES
ANGLAR				$\pm 5^\circ$
$L \leq 4$				$\pm 0.2$
$4 < L \leq 16$				$\pm 0.3$
$16 < L \leq 63$				$\pm 0.4$
$L > 63$				$\pm 0.5$



DSND	SCALE: N/A	MODEL TYPE:	6.5 PHONE JACK
DWN	VIEW:	PART NO.:	PJ-623AX-X
CHKD	UNIT: mm/in	DWG NO.:	
APPD	SIZE: A4		
		WEIGHT	SHEET
			REVISIC
		1/1	A0

XKB INDUSTRIAL PRECISION CO., LIMITED

www.helloxkb.com www.helloxkb.cn www.xk-dg.cn