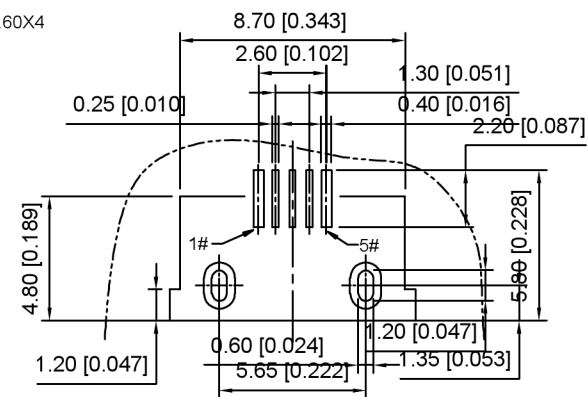


Notes:

1. Dimension shall be interpreted per ASME Y14.5M1994
2. Dimension marked ∇ & \blacktriangledown should be checked by Q.C. and process, engineers and ∇ should also check the CPK data

Specification:

1. Current Rating: 2.0 AMP
2. Voltage Rating: 30V AC, DC
3. Dielectric Strength: 500V AC RMS for 1 minute
4. Contact Resistance: 30mΩ Max.
5. Insulator Resistance: 500M 2Min. AT 250V DC.
6. Mating/Unmating cycles: 2000 cycles
7. Temperature: -20°C to +60°C



P.C.B LAYOUT

3	Shell	1	SUS304R-1/2H Ni Plating T=0.30mm(3U)	
2	Contact	5	Phosphor bronze C5191R-EH Au/Ni Plating T=0.20mm (1U)	
1	Housing	1	PA9T&LCP (G.F30%)	
ITEM	PART NAME	Q'TY	FINISH	NOTE

广东星坤科技股份有限公司

文件工程章

日期

DESCRIPTION

REVISIONS

DATE REVISED APPROVED

UNSPECIFIED TOLERANCES

					ANGULAR	±5°
					L ≤ 4	±0.2
					4 < L ≤ 16	±0.3
					16 < L ≤ 63	±0.4
					L > 63	±0.5
UNSPECIFIED TOLERANCES						

XKB

XKB INDUSTRIAL PRECISION CO., LIMITED

DSND	SCALE: N/A	MODEL TYPE: MICRO USB
DWN	VIEW: \oplus	PART NO.:
CHKD	UNIT: mm/in	DWG NO.:
APPD	SIZE: A4	U-E-M5SS-W-3
	WEIGHT	SHEET
	1/1	REVISION
		A0