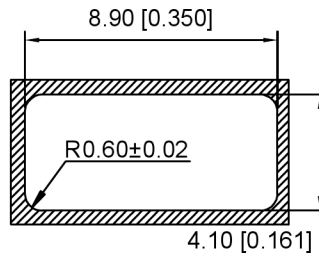
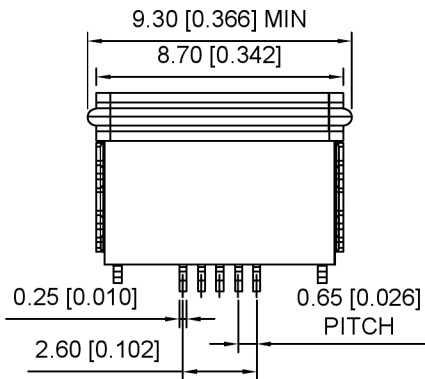


NOTES:

- MATERIAL:
HOUSING: LCP, BLACKUL94V-0;
TERMINAL: COPPER ALLOY. THICKNESS:0.15mm; SHELL: STAINLESS STEEL, THICKNESS:0.30mm;
METAL TAB:STAINLESS STEELTHICKNESS:0.25mm;
SEALING RING:SILICON RUBBER.
- PLATING:
TERMINAL: CONTACT AREA: GOLD FLASH OVER MINIMUM 0.75MICRON Pd/Ni;
SOLDER TAIL AREA: GOLD FLASH UNDER PLATING: NICKEL 2.0MICRON MINIMUM
SHELL / METAL TAB: 2.0MICRON MINIMUM MATTE TIN OVER
1.27MICRON MINIMUM NICKEL UNDER PLATING.
- TAIL COPLANARITY 0.08mm MAXIMUM.
- PRODUCT SPECIFICATION: PK-105296-002.
- PACKAGE SPECIFICATION: PS-105296-001.
- PRODUCTS MEET IP67 TEST REQUEST.
- COMPLIANT TO ROHS DIRECTIVE 2011/65/EU AND ELV 2000/53/EC.



RECOMMENDED OPENING DIMENSIONS OF CASE MATING AREA WITH SEALING RING

DSND		SCALE: N/A	MODEL TYPE: MICRO USB
DWN		VIEW:	PART NO.:
CHKD		UNIT: mm/in	DWG NO.:
APPD		SIZE: A4	U-E-M5SS-Y-6
XKB INDUSTRIAL PRECISION CO., LIMITED			WEIGHT
			SHEET
			REVISION
			1/1
			A0

ANGLAR	±5°
L ≤ 4	±0.2
4 < L ≤ 16	±0.3
16 < L ≤ 63	±0.4
L > 63	±0.5
UNSPECIFIED TOLERANCES	



广东星坤科技股份有限公司
文件工程章

DATE	REVISED	APPROVED	REVISIONS
			www.helloxkb.com www.helloxkb.cn www.xk-dg.cn