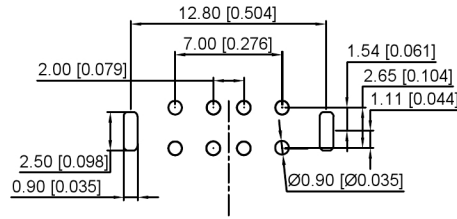
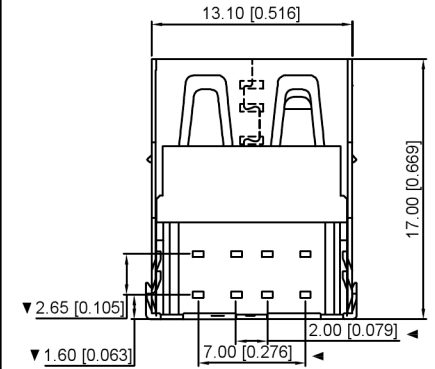


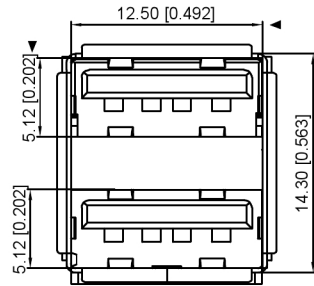
14.30 [0.563]



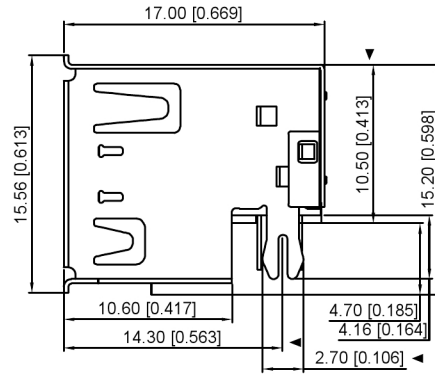
RECOMMENDED PCB LAYOUT



F:Flat



S:Scrolls



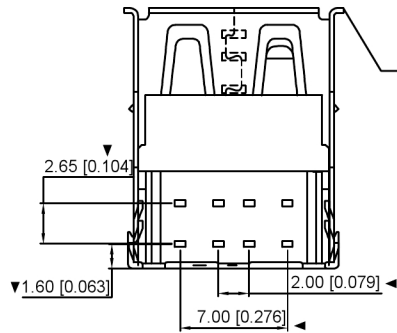
Housing Material: PBT UL94V-0, black/White

Contact Terminal: Brass

Metallic Shell: Brass/Spcc

U224-08XN-1XRZ21-XX

- 1: Au 1U"
- 6: Au 30U"
- 1: SPCC 5: BRASS
- S: Scrolls F: Flat
- B: Black R: Red O: Orange
- G: Green W: White T: Transparent
- 1: PBT
- 2: PA6T
- 3: PA9T
- 4: LCP



广东星坤科技股份有限公司

ΔX	日期
ΔX	日期
ΔX	日期
MARK	DESCRIPTION

文件工程章

REVISIONS	DATE	REVISED	APPROVED	UNSPECIFIED TOLERANCES
				ANGULAR ±5°
				L ≤ 4 ±0.2
				4 < L ≤ 16 ±0.3
				16 < L ≤ 63 ±0.4
				L > 63 ±0.5

www.helloxkb.com www.helloxkb.cn www.xk-dg.cn



XKB INDUSTRIAL PRECISION CO., LIMITED

DSND	SCALE: N/A	MODEL TYPE: USB 2.0
DWN	VIEW:	PART NO.:
CHKD	UNIT: mm/in	DWG NO.: U224-08XN-1XRZ21-XX
APPD	SIZE: A4	WEIGHT SHEET REVISION
		1/1 A0