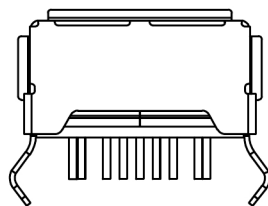
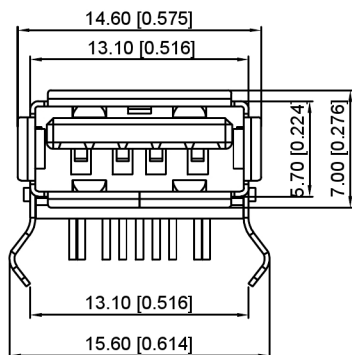
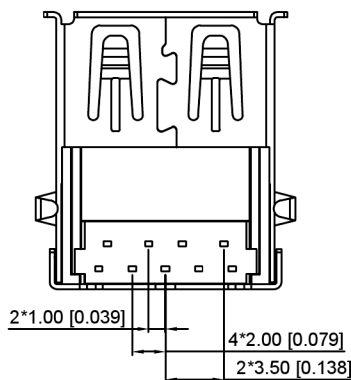
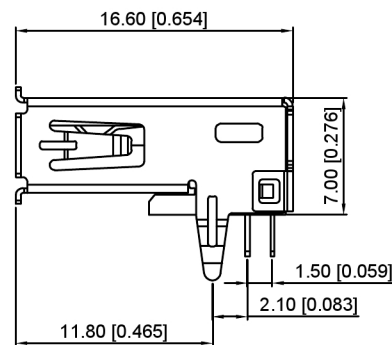
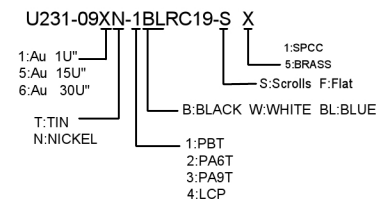


RECOMMENDER PCB LAYOUT TOP VIEW
(COMPONENT SIDE TOLERANCE±0.05)



Pin #	SIGNAL NAME	DESCRIPTION	MATING SEQUENCE
1	VBUS	POWER	SECOND
2	D-	USB 2.0 DIFFERENTIAL PAIR	THIRD
3	D+		
4	GND	GROUND FOR POWER RETURN	SECOND
5	StdA_SSR-	SUPER SPEED RECEIVER DIFFERENTIAL PAIR	LAST
6	StdA_SSR+		
7	GND_DRAIN	GROUND FOR SIGNAL RETURN	
8	StdA_SST-	SUPER SPEED TRANSMITTER DIFFERENTIAL PAIR	
9	StdA_SST+		
Shell	Shield	CONNECTOR METAL SHELL	FIRST

Material
 Housing Material: PBT, UL94V-0, blue
 Contact Terminal: Copper Alloy
 Metallic Shell: SPCC/BRASS
Plating
 Underplating: Nickel
 Contact Plating: 1µ" Gold
 Solder Tail: 100µ" Min. Tin
 Metallic Shell: Nickel
Electrical
 Voltage Rating: 100 V AC
 Current Rating: 0.25A (Signal pins 2,3,5,6,7,8,9) 1.8A (Power Pins 1,4)
 Contact Resistance: 30mΩ Max.
 Insulation resistance: 1000MΩ Min.
 Dielectric withstanding voltage: 100V AC/Minute
Mechanical
 Durability: 5000 cycles
 Mating Force: 35N (3.57KgF) Max
 Unmating Force: 10N (1.02KgF) Min. initial, 8N min after test
 Environmental and Processing
 Operating Temperature: -40°C to +85°C



广东星坤科技股份有限公司

MARK	DESCRIPTION	DATE	REVISED	APPROVED	ANGLAR	±5°
Δ建					L ≤ 4	±0.2
Δ效					4 < L ≤ 16	±0.3
ΔX					16 < L ≤ 63	±0.4
					L > 63	±0.5



DSND		SCALE: N/A	MODEL TYPE: USB 3.0
DWN		VIEW:	PART NO.:
CHKD		UNIT: mm/in	DWG NO.:
APPD		SIZE: A4	U231-09XN-1BLRC19-SX