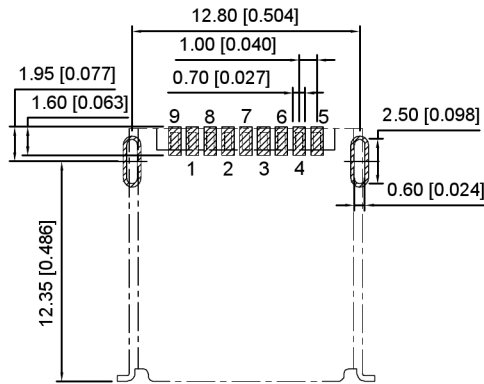
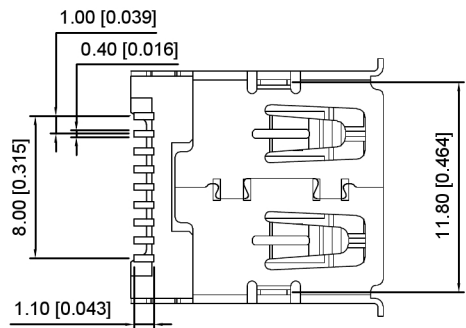
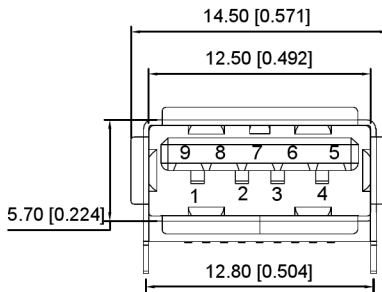
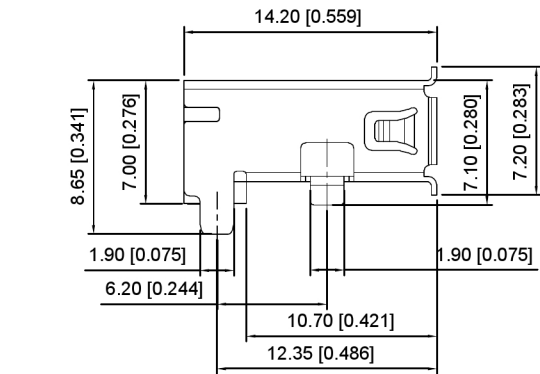


3D VIEW



RECOMMEND PCB LAYOUT(±0.05)

**Material**

Housing Material: LCP, UL94V-0, blue

Contact Terminal: Brass

Metallic Shell:SPCC

**Plating**

Underplating: Nickel

Contact Plating: G/F μ" Gold

Solder Tail: 100μ" Min. Tin

Metallic Shell: Nickel

**Electrical**

Voltage Rating: 30 VAC RMS

Current Rating: 1.5AMP

Contact Resistance: 30MILLIOHMS Max.

Insulation resistance: 100MEGOHMS Min@500V DC

Withstanding voltage: 500 VAC RMS 50(60)Hz,1MIN

**Mechanical**

Durability: 1500 cycles

Mating Force: 35N Max

Unmating Force: 5~35N

**Environmental**

Storage Temperature : -40℃~+85℃

Operating Temperature: -25℃~+70℃

U231-09XN-4BLRA00-S

1: Au 1U"

5: Au 15U"

6: Au 30U"

S: Scrolls F: Flat

Pin #	SIGNAL NAME	DESCRIPTION	MATING SEQUENCE
1	VBUS	POWER	SECOND
2	D-	USB 2.0 DIFFERENTIAL PAIR	THIRD
3	D+		
4	GND	GROUND FOR POWER RETURN	SECOND
5	Std_A_SSRX-	SUPERSPEED RECEIVER DIFFERENTIAL PAIR	LAST
6	Std_A_SSRX+		
7	GND_DRAIN	GROUND FOR SIGNAL RETURN	
8	Std_A_SSTX-	SUPERSPEED TRANSMITTER DIFFERENTIAL PAIR	
9	Std_A_SSTX+		
Shell	Shield	CONNECTOR METAL SHELL	FRIST

广东星坤科技股份有限公司  
 文件工程章

MARK	DESCRIPTION	DATE	REVISED	APPROVED	UNSPECIFIED TOLERANCES
ΔX					ANGULAR ±5°
ΔX					L ≤ 4 ±0.2
ΔX					4 < L ≤ 16 ±0.3
					16 < L ≤ 63 ±0.4
					L > 63 ±0.5



XKB INDUSTRIAL PRECISION CO., LIMITED

DSND	SCALE: N/A	MODEL TYPE: USB 3.0
DWN	VIEW:	PART NO.:
CHKD	UNIT: mm/in	DWG NO.: U231-09XN-4BLRA00-S
APPD	SIZE: A4	WEIGHT
		SHEET 1/1
		REVISIO A0