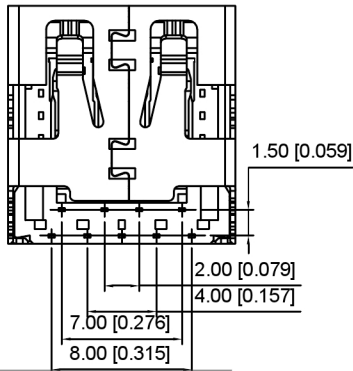
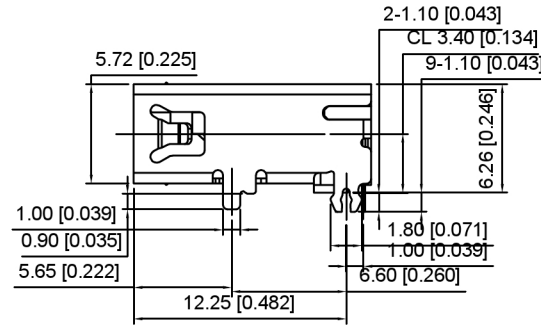
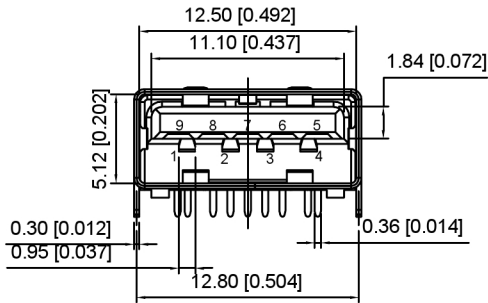
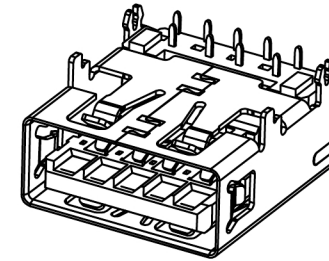


TOLERANCE: ±0.05, THICKNESS: 1.2mm
 RECOMMENDED PCB LAYOUT
 (TOP VIEW)
 KEEP OUT AREA



Pin #	SIGNAL NAME	DESCRIPTION	MATING SEQUENCE
1	VBUS	POWER	SECOND
2	D-	USB 2.0 DIFFERENTIAL PAIR	THIRD
3	D+		
4	GND	GROUND FOR POWER RETURN	SECOND
5	StdA_SSRX-	SUPERSPEED RECEIVER DIFFERENTIAL PAIR	LAST
6	StdA_SSRX+		
7	GND_DRAIN	GROUND FOR SIGNAL RETURN	
8	StdA_SSTX-	SUPERSPEED TRANSMITTER DIFFERENTIAL PAIR	
9	StdA_SSTX+		
Shell	Shield	CONNECTOR METAL SHELL	FRIST

Material

Housing Material: PA9T, UL94V-0, green/blue

Contact Terminal: Brass

Metallic Shell: Brass

Plating

Underplating: Nickel

Contact Plating: 1µ" Gold

Solder Tail: 100µ" Min. Tin

Metallic Shell: Nickel

Electrical

Voltage Rating: 100 V AC

Current Rating: 0.25A (Signal pins 2,3,5,6,7,8,9) 3A (Power Pins 1,4)

Contact Resistance: 30mΩ Max.

Insulation resistance: 1000MΩ Min.

Dielectric withstanding voltage: 100V AC/Minute

Mechanical

Durability: 1500 cycles

Mating Force: 35N (3.57Kgf) Max

Unmating Force: 10N (1.02Kgf) Min. initial, 8N min after test

Environmental and Processing

Operating Temperature: -40°C to +85°C

U231-09XN-3XRC10

B:BLACK W:WHITE
 BL:BLUE

1: Au 1U"
 5: Au 15U"
 6: Au 30U"

DSND	SCALE: N/A	MODEL TYPE: USB 3.0
DWN	VIEW:	PART NO.:
CHKD	UNIT: mm/in	DWG NO.: U231-09XN-3XRC10
APPD	SIZE: A4	WEIGHT SHEET REVISIOI
		1/1 A0



XKB INDUSTRIAL PRECISION CO., LIMITED

广东星坤科技股份有限公司

ΔX	日期
ΔX	日期
ΔX	日期
MARK	DESCRIPTION

文件工程章

REVISIONS	DATE	REVISED	APPROVED	UNSPECIFIED TOLERANCES