

Material

Housing Material: LCP, UL94V-0, black

Contact Terminal: Copper Alloy

Metallic Shell: Sus

Electrical

Voltage Rating: 30 V AC

Current Rating: Signal (Pins 2,3,4): 1.0A, Power (Pins 1,5): 1.8A

Contact Resistance: 30mΩ Max

Insulation resistance: 1000MΩ Min

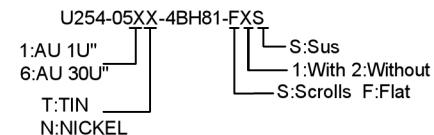
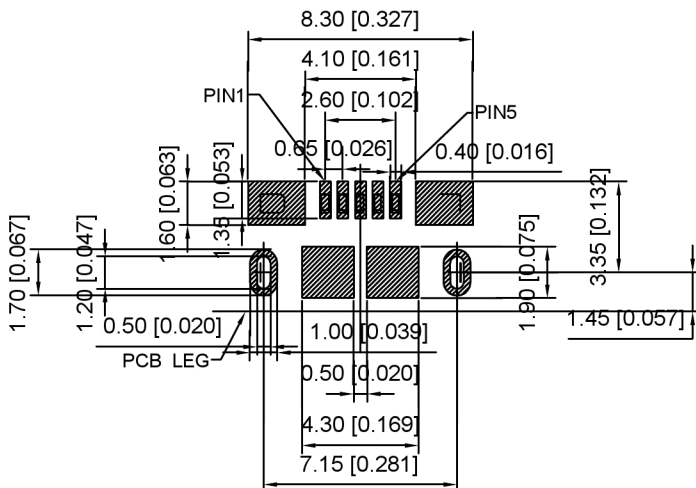
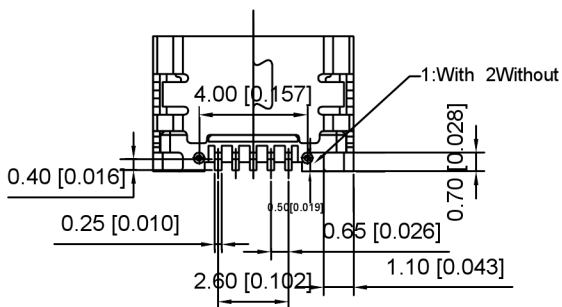
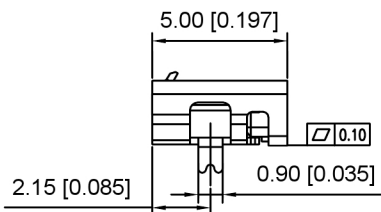
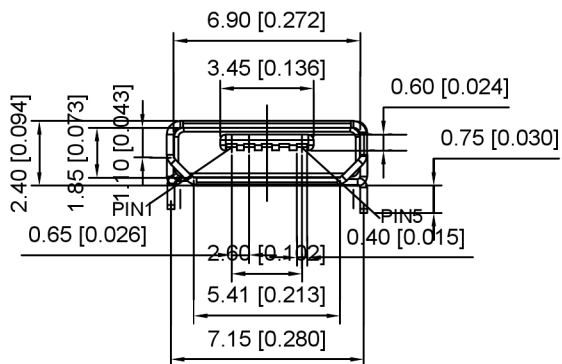
Dielectric withstanding voltage: 250V AC/Minute

Mechanical

Durability: 10,000 cycles

Mating Force: 35N (3.57Kgf) Max

Unmating Force: 8N (0.82Kgf) Min.



RECOMMENDED P.C.B. LAYOUT
TOP VIEW (TOLRANCE: ±0.05)

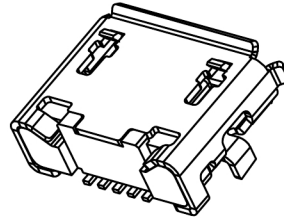
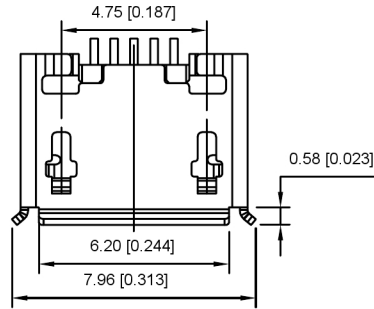
广东星坤科技股份有限公司

文件工程章

REVISIONS	DATE	REVISED	APPROVED	UNSPECIFIED TOLERANCES
Δx				ANGLAR ±5°
Δx				L ≤ 4 ±0.2
Δx				4 < L ≤ 16 ±0.3
MARK				16 < L ≤ 63 ±0.4
				L > 63 ±0.5

DSND		DATE		SCALE: N/A	MODEL TYPE: MICRO USB
DWN		DATE		VIEW:	PART NO.:
CHKD		DATE		UNIT: mm/in	DWG NO.:
APPD		DATE		SIZE: A4	U254-05XX-4BH81-FXS
				WEIGHT	SHEET
				1.0g	1/1
				REVISION	A0

XKB INDUSTRIAL PRECISION CO., LIMITED



Material

Housing Material: LCP, UL94V-0, black

Contact Terminal: Copper Alloy

Metallic Shell: Sus

Electrical

Voltage Rating: 30 V AC

Current Rating: Signal (Pins 2,3,4): 1.0A, Power (Pins 1,5): 1.8A

Contact Resistance: 30mΩ Max

Insulation resistance: 1000MΩ Min

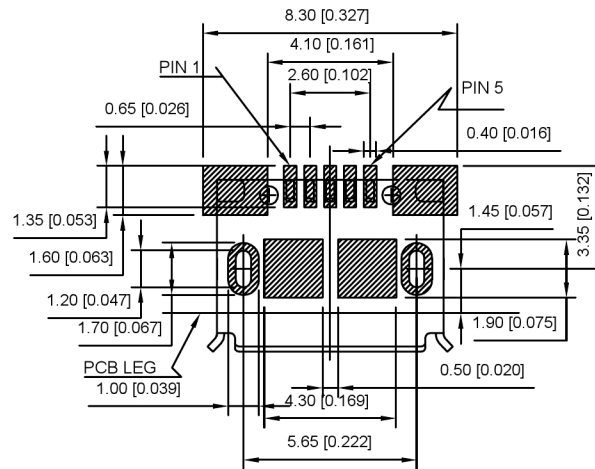
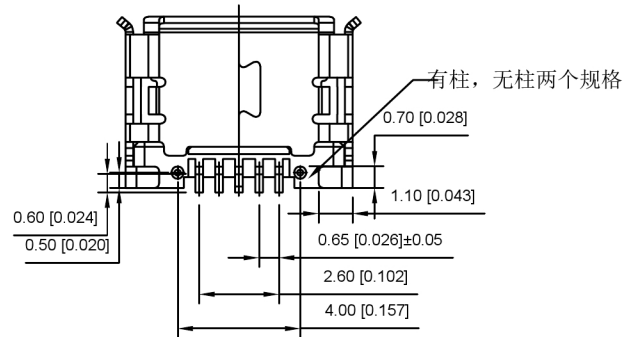
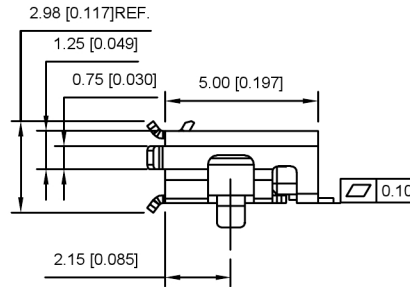
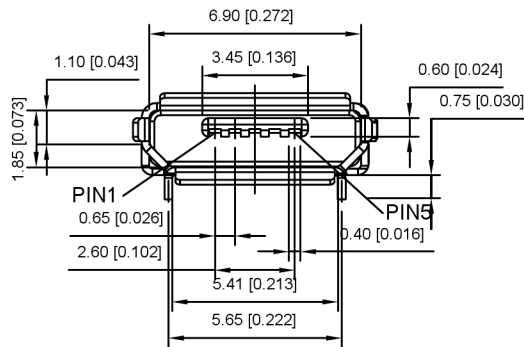
Dielectric withstanding voltage: 250V AC/Minute

Mechanical

Durability: 10,000 cycles

Mating Force: 35N (3.57Kgf) Max

Unmating Force: 8N (0.82Kgf) Min.



RECOMMENDED P.C.B. LAYOUT
TOP VIEW (TOLRANCE: ±0.05)

U254-05XX-4BH81-SXS
 1:AU 1U"
 6:AU 30U"
 T:TIN
 N:NICKEL
 S:Sus
 1:With 2:Without
 S:Scrolls F:Flat

广东星坤科技股份有限公司
 生效日期
 文件工程章

REVISIONS	DATE	REVISED	APPROVED	UNSPECIFIED TOLERANCES
ANGLAR	±5°	L ≤ 4	±0.2	
		4 < L ≤ 16	±0.3	
		16 < L ≤ 63	±0.4	
		L > 63	±0.5	



DSND	SCALE: N/A	MODEL TYPE: MICRO USB
DWN	VIEW:	PART NO.:
CHKD	UNIT: mm/in	DWG NO.:
APPD	SIZE: A4	U254-05XX-4BH81-SXS
		WEIGHT
		SHEET 1/1
		REVISIC A0

XKB INDUSTRIAL PRECISION CO., LIMITED