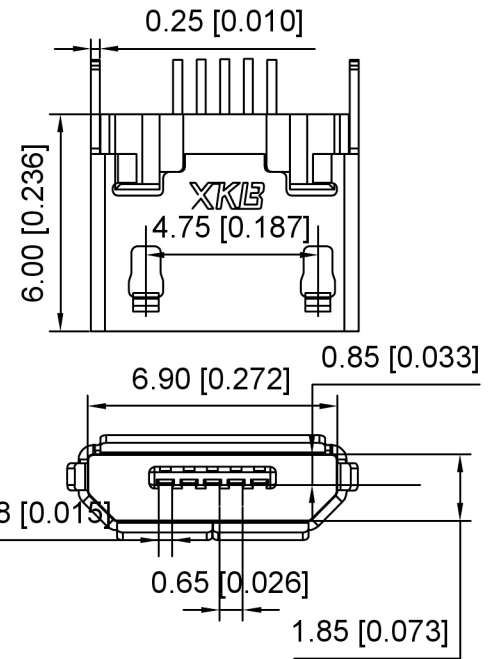
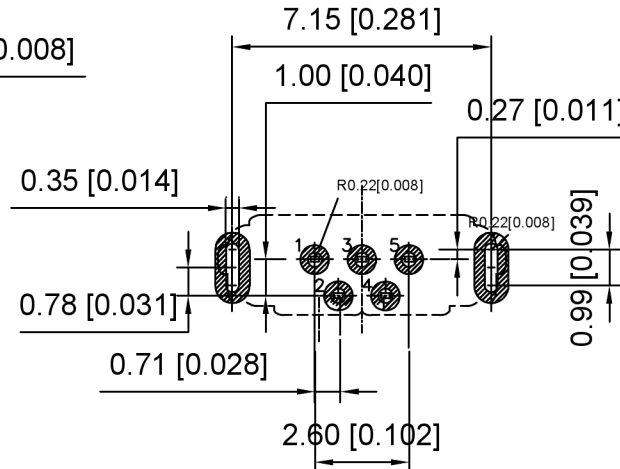
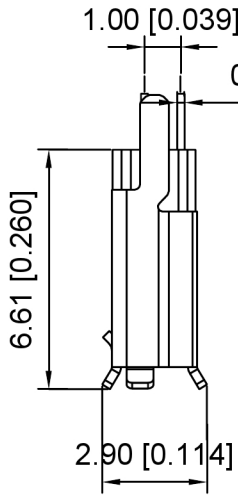
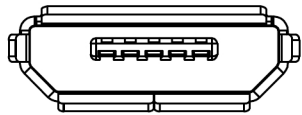


S:Scrolls



F: Flat



RECOMMENDED P.C.B LAYOUT

Housing Material: LCP UL94V-0, black
 Contact Terminal: PHOSPHOR BRONZE
 Metallic Shell: SUS

U255-05XN-4BH73-XS

S:SUS
 S:Scrolls F:Flat

1:AU 1U"
 5:AU 15U"
 6:AU 30U"

广东星坤科技股份有限公司

ΔX	日期
ΔX	日期
ΔX	日期
MARK	DESCRIPTION

REVISIONS

www.helloxkb.com www.helloxkb.cn www.xk-dg.cn

ANGLAR	±5°
L ≤ 4	±0.2
4 < L ≤ 16	±0.3
16 < L ≤ 63	±0.4
L > 63	±0.5
UNSPECIFIED TOLERANCES	



XKB INDUSTRIAL PRECISION CO., LIMITED

DSND	SCALE: N/A	MODEL TYPE: MICRO USB
DWN	VIEW:	PART NO.:
CHKD	UNIT: mm/in	DWG NO.:
APPD	SIZE: A4	U255-05XN-4BH73-XS
		WEIGHT
		SHEET
		REVISION
		1/1
		A0

文件工程章