

| PIN DEFINE TABLE | | | |
|------------------|--------|-----|--------|
| PIN | SIGNAL | PIN | SIGNAL |
| A12 | GND | B1 | GND |
| A11 | | B2 | |
| A10 | | B3 | |
| A9 | VBUS | B4 | VBUS |
| A8 | SBU1 | B5 | CC2 |
| A7 | Dn1 | B6 | Dp2 |
| A6 | Dp1 | B7 | Dn2 |
| A5 | CC1 | B8 | SBU2 |
| A4 | VBUS | B9 | VBUS |
| A3 | | B10 | |
| A2 | | B11 | |
| A1 | GND | B12 | GND |

SPECIFICATION:

1. Material

Housing Material: High temperature thermoplastic
 Contact Terminal: High Grade Copper Alloy
 Metallic Shell: Stainless Steel
 Inner Ground Cover Shell: Stainless Steel
 Mid Plate: Stainless Steel

2. Mechanical:

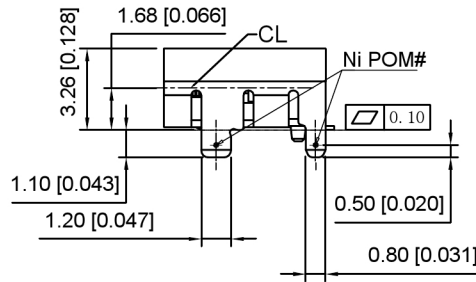
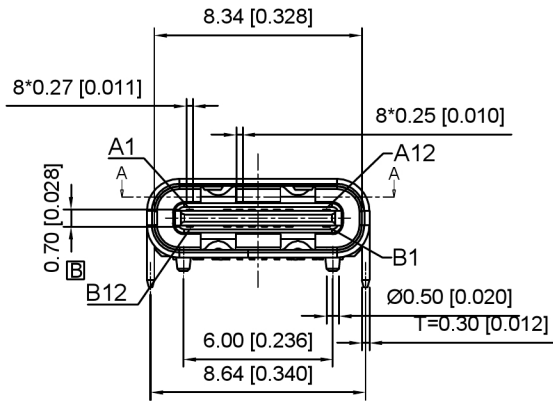
- 2.1. Mating force: 5-20Nf;
- 2.2. Unmating force: Initial: 8-20Nf; Final: 6-20Nf;
- 2.3. Durability: 10000 Cycles;

3. Electrical:

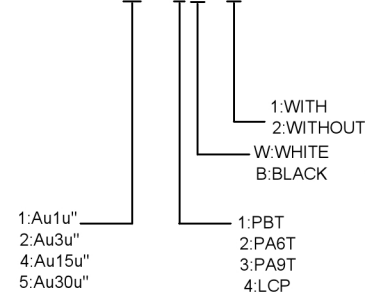
- 3.1. Current Rating:
VBus Pins: 5A, Vconn Pin: 1.25A, Other Pins: 0.25A;
- 3.2. Voltage Rating: 20V Max.;
- 3.3. Dielectric Withstanding
voltage: 100Vac, 60S, 10mA;
- 3.4. Contact resistance: 40m Ohms Max.;
- 3.5. Insulation Resistance: 100M Ohms Min.;

4. Environmental:

- 4.1. Operating temperature: -40°C~+85°C;
- 4.2. Salt Spray Test: 48H Min. (No oxidation or rust);
- 4.3. Wetting Temperature: 265±5°C, 5±0.5s



U262-16XN-4BS165



广东星坤科技股份有限公司

| | | |
|------|--|----|
| ΔX | | 日期 |
| ΔX | | 日期 |
| ΔX | | 日期 |
| MARK | | 日期 |

文件工程章

| REVISIONS | DATE | REVISED | APPROVED | DESCRIPTION |
|-----------|------|---------|----------|-------------|
| | | | | |
| | | | | |
| | | | | |

| | |
|------------------------|------|
| ANGULAR | ±5° |
| L ≤ 4 | ±0.2 |
| 4 < L ≤ 16 | ±0.3 |
| 16 < L ≤ 63 | ±0.4 |
| L > 63 | ±0.5 |
| UNSPECIFIED TOLERANCES | |



XKB INDUSTRIAL PRECISION CO., LIMITED

| | | |
|----------|-------------|------------------------|
| DSND | SCALE: N/A | MODEL TYPE: Type-C 3.1 |
| DWN | VIEW: | PART NO.: |
| CHKD | UNIT: mm/in | DWG NO.: |
| APPD | SIZE: A4 | U262-16XN-4BS165 |
| WEIGHT | | SHEET |
| | | 1/1 |
| REVISION | | A0 |