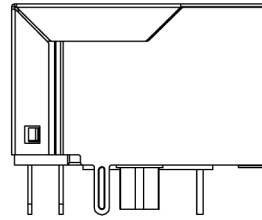


TOP VIEW

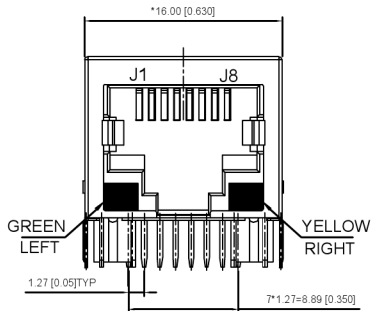


LEFT SIDE VIEW

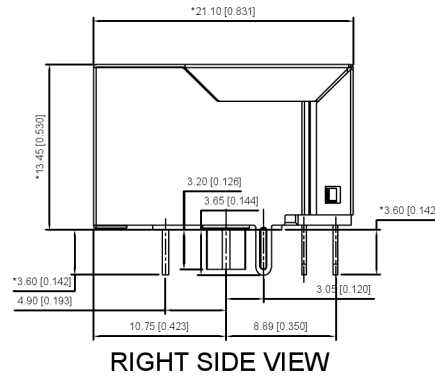
XKB Connectivity

Electrical 电气:

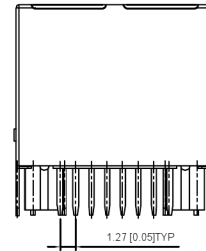
- 1.Voltage rating 额定电压:125V AC.
- 2 Insulation resistance 绝缘电阻: 500 meg a ohms minimum initial after 500V DC for 1minute
- 3.Low level Contact resistance 低阶接触阻抗:
Single terminal 30 milliohms Max initial
50 milliohms maximum after durability test



FRONT VIEW



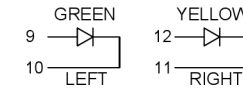
RIGHT SIDE VIEW



BACK VIEW

LED Specification

Standard LED Color	LED Wavelength	Forward(A)	Forward(V)
Green	568nm	20mA	1.85-2.45V
Yellow	585nm	20mA	1.7-2.2V



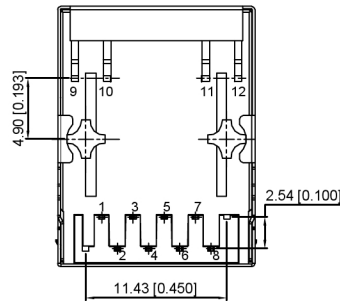
XKB Connectivity

MATERIAL 材料:

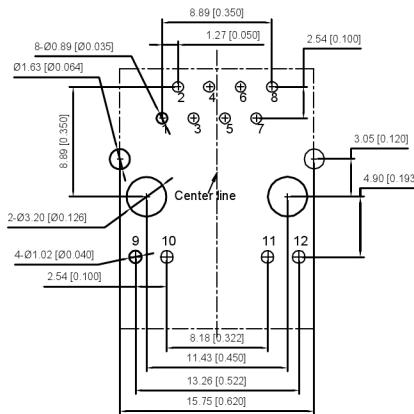
- HOUSING : PBT,UL94V-0,BLACK.
- TERMINALS BRACKET 端子支架: PBT,UL94V-0,BLACK.
- SHIELD 保护物: C2680,T=0.20MM,NICKEL PLATING ON ALL AREA.
- TERMINAL 端子: PHOSPHOR BRONZE C5210,T=0.35MM, GOLD PLATING ON CONTACT AREA.

MECHANICAL 机械:

- DURABILITY 耐用性: 750 CYCLES MIN.
- MATING FORCE 配合力: 23N MAX.
- OPERATING TEMPERATURE 工作温度: -40°C~+85°C.
- STORAGE TEMPERATURE 储存温度: -40°C~+85°C.
- ALL CRITICAL DIMENSIONS WITH "***"



BOTTOM VIEW



RECOMMENDED PCB LAYOUT VIEWED FROM COMPONENT SIDE

广东星坤科技股份有限公司

Δx		日期
Δx		日期
Δx		日期
MARK		DESCRIPTION

文件工程章

REVISIONS	DATE	REVISED	APPROVED	DESCRIPTION
UNSPECIFIED TOLERANCES				

DSND		SCALE: N/A	MODEL TYPE: RJ JACK
DWN		VIEW:	PART NO.:
CHKD		UNIT: mm/in	DWG NO.:
APPD		SIZE: A4	X01AB035BA2AD
XKB INDUSTRIAL PRECISION CO.,LIMITED			WEIGHT
			SHEET
			REVISIO
			1/1
			A0

