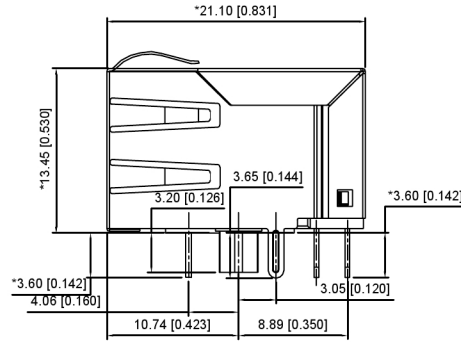
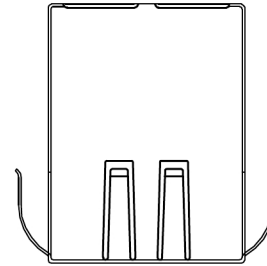


LEFT SIDE VIEW



RIGHT SIDE VIEW

XKB Connectivity

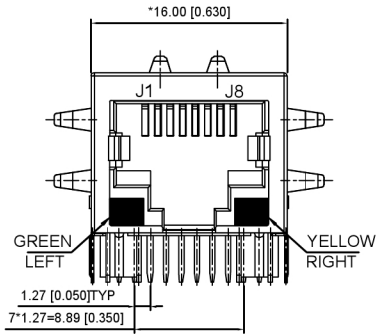


TOP VIEW

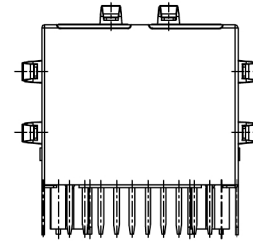
- Electrical 电气:
- Turn ratio 匝数比: 1~2: J1~J2=1CT:1CT(±2%)
3~6: J3~J6=1CT:1CT(±2%)
4~5: J4~J5=1CT:1CT(±2%)
7~8: J7~J8=1CT:1CT(±2%)
 - OCL: 350uH Min at 100KHz 100mV 8mA DC
 - Insertion Loss 插入损耗: -1.0 dB Max 1~100MHz.
 - Return loss 回波损耗: -18dB Min 1~30MHz.
-14dB Min 30~60MHz.
-12dB Min 60~80MHz.
-10dB Min 80~100MHz.
 - Cross talk: -40dB Min 1~30MHz;
-35dB Min 30~60MHz;
-30dB Min 60~100MHz;
 - CMR: -30dB Min 1~100MHz;
 - Hi-Pot: 2250V DC 6S 1mA PRI TO SEC.

LED Specification

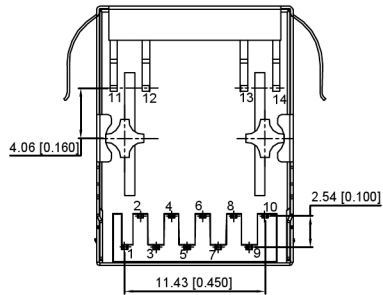
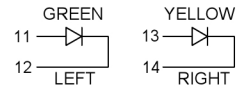
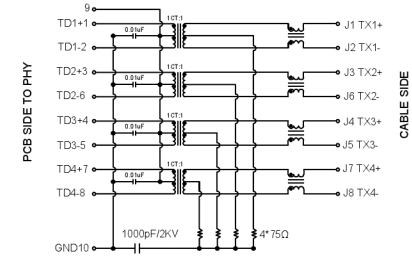
Standard LED Color	LED Wavelength	Forward(A)	Forward(V)
Green	568nm	20mA	1.85-2.45V
Yellow	585nm	20mA	1.7-2.2V



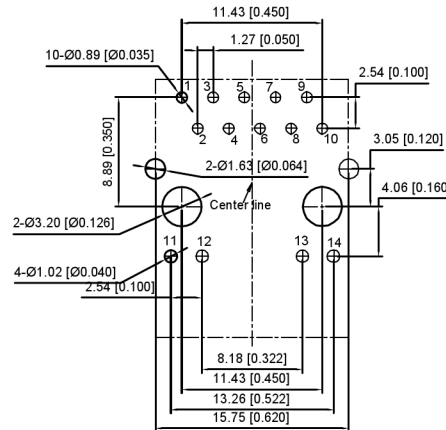
FRONT VIEW



BACK VIEW



BOTTOM VIEW



RECOMMENDED PCB LAYOUT
VIEWED FROM COMPONENT SIDE
XKB Connectivity

MATERIAL 材料:

- HOUSING 外壳: PBT,UL94V-0,BLACK.
 TERMINALS BRACKET 端子支架: PBT,UL94V-0,BLACK.
 SHIELD 保护物: C2680,T=0.20MM,NICKEL PLATING ON ALL AREA.
 TERMINAL 端子: PHOSPHOR BRONZE C5210,T=0.35MM,
 GOLD PLATING ON CONTACT AREA.

MECHANICAL 机械:

- DURABILITY 耐用性: 750 CYCLES MIN.
 MATING FORCE 配合力: 23N MAX.
 OPERATING TEMPERATURE 工作温度: -40°C~+85°C.
 STORAGE TEMPERATURE 储存温度: -40°C~+85°C.
 ALL CRITICAL DIMENSIONS WITH "mm"

广东星坤科技股份有限公司
 文件工程章

REVISIONS	DATE	REVISED	APPROVED	DESCRIPTION

DSND	SCALE: N/A	MODEL TYPE:	RJ JACK
DWN	VIEW:	PART NO.:	
CHKD	UNIT: mm/in	DWG NO.:	X01AQ068DB2AD
APPD	SIZE: A4	WEIGHT	
		SHEET	1/1
		REVISION	A0

