

PCB LAYOUT

Specifications:

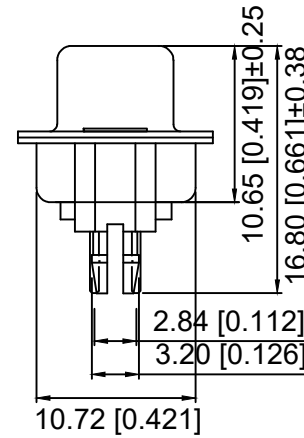
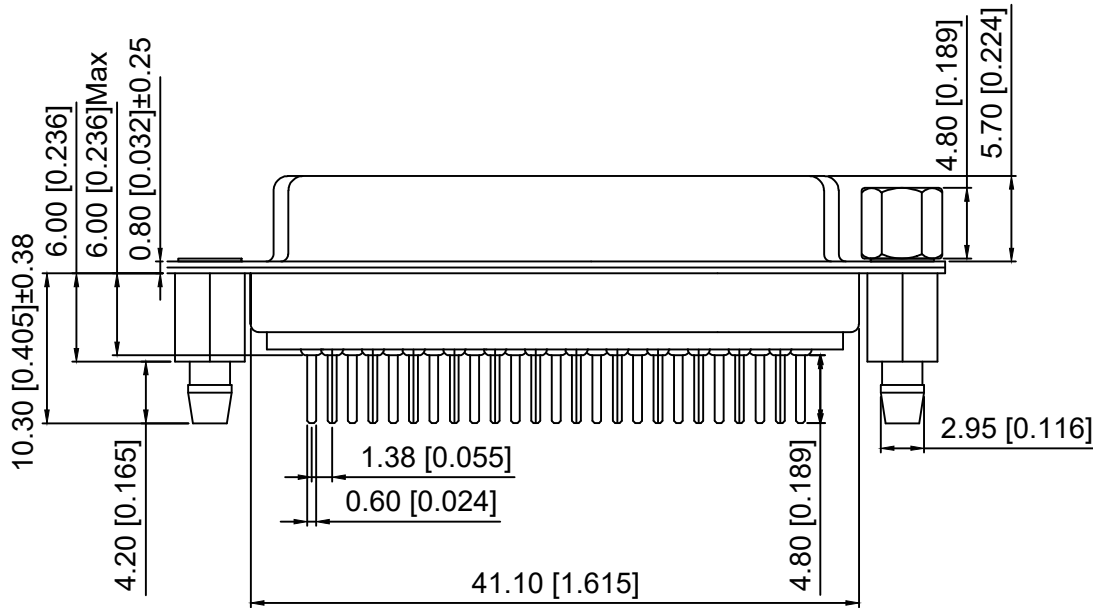
规格:

- 1.Voltage rating:250VAC/DC
额定电压: 250V AC/DC
- 2.Current rating:3A AC/DC
额定电流: 3A AC/DC
- 3.Withstanding voltage:500V AC/minute
耐受电压: ≥500V AC/分钟
- 4.Temperature range: -25℃~+80℃
温度范围: -25℃~+80℃
- 5.Insulation resistance:5000MΩMIN
绝缘电阻: ≥5000MΩ
- 6.Contact resistance:30mΩMax
接触电阻: ≥30mΩ

Material:

材料:

- 7.Rubber core:PBT UL94V-0
胶芯: PBT UL94V-0
 - 8.The iron shell:SPCC Terminal half-Gold 15u Matte Tin
铁壳: SPCC 半金15u雾锡
- B、成品不能有弯针，R角不一致等不良。



X02 25 F T 17 B X
① ② ③ ④ ⑤ ⑥ ⑦

- ① Series NO.
- ② Row No.Pin No.XX-25;
- ③ Welding Board Angle :F-Female
- ④ T: Traditional
- ⑤ Planting Category: 17-Terminal half-Gold 15u Matte Tin
- ⑥ Color:B-BLACK
- ⑦ 5:TYPE-5 ; 7:TYPE-7

铆合方式	TYPE-7:后铆鱼叉	TYPE-5:铆鱼叉锁螺丝
图示		

DSND		SCALE: N/A	MODEL TYPE: D-USB
DWN		VIEW:	PART NO.: X0225FT17BX
CHKD		UNIT: mm/in	DWG NO.: X-X0225FT17BX
APPD		SIZE: A4	WEIGHT SHEET REVISION
XKB INDUSTRIAL PRECISION CO.,LIMITED			1/1 A0



ANGLAR	±5°
L ≤ 4	±0.2
4 < L ≤ 16	±0.3
16 < L ≤ 63	±0.4
L > 63	±0.5
UNSPECIFIED TOLERANCES	

ΔX					
ΔX					
ΔX					
MARK	DESCRIPTION	DATE	REVISED	APPROVED	
REVISIONS					
www.helloxkb.com www.helloxkb.cn www.xk-dg.cn					