

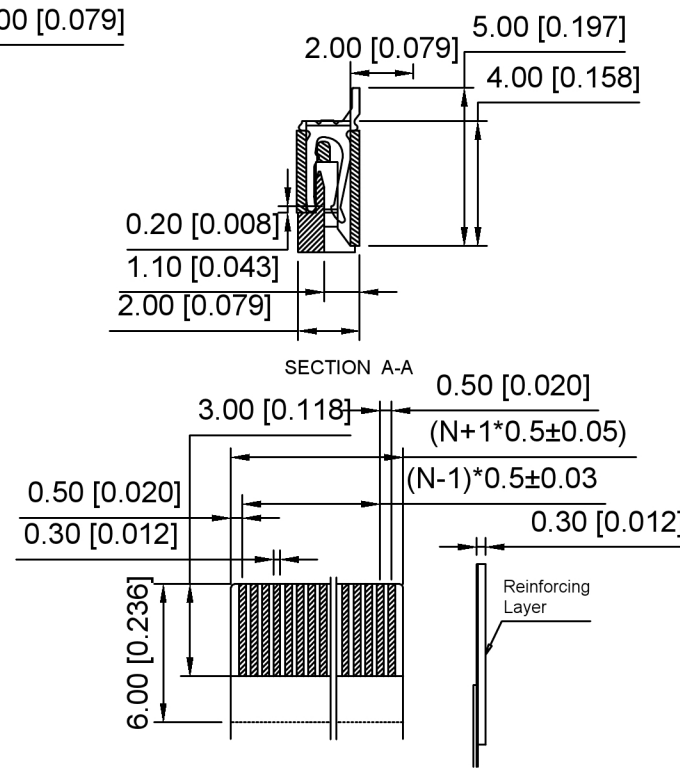
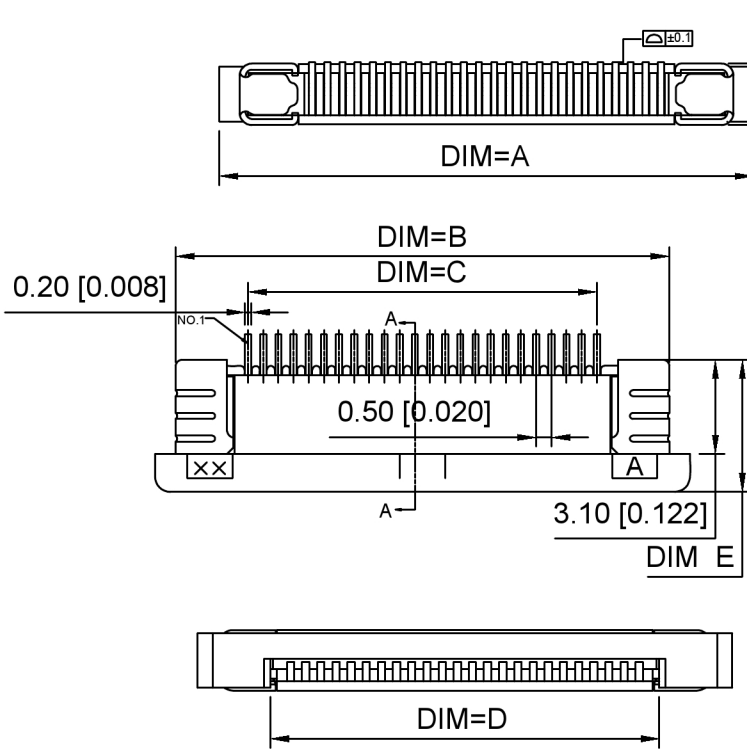
Electrical Characteristics:

Current rating:0.4A AC/DC
 Voltage rating:50V AC/DC
 Temperature range: -25℃~+85℃
 Withstand Voltage:500V AC/Minute
 Contact Resistance: ≤20mΩ
 Insulation resistance: ≥500MΩ
 Relative Humidity:93%+40℃

Material Description:

Terminal: Phosphor Bronze Tin-plated
 Fitting Nail: Brass Tin-plated
 Housing: Thermoplastic(UL94V-0)
 Slider: Thermoplastic(UL94V-0)

PIN	DIM A	DIM B	DIM C	DIM D	DIM E
34	22.60	21.60	16.50	17.65	
33	22.10	21.10	16.00	17.15	
32	21.60	20.60	15.50	16.65	
31	21.10	20.10	15.00	16.15	
30	20.60	19.60	14.50	15.65	
29	20.10	19.10	14.00	15.15	
28	19.60	18.60	13.50	14.65	
27	19.10	18.10	13.00	14.15	
26	18.60	17.60	12.50	13.65	
25	18.10	17.10	12.00	13.15	
24	17.60	16.60	11.50	12.65	
23	17.10	16.10	11.00	12.15	
22	16.60	15.60	10.50	11.65	
21	16.10	15.10	10.00	11.15	4.40
20	15.60	14.60	9.50	10.65	
19	15.10	14.10	9.00	10.15	
18	14.60	13.60	8.50	9.65	
17	14.10	13.10	8.00	9.15	
16	13.60	12.60	7.50	8.65	
15	13.10	12.10	7.00	8.15	
14	12.60	11.60	6.50	7.65	
13	12.10	11.10	6.00	7.15	
12	11.60	10.60	5.50	6.65	
11	11.10	10.10	5.00	6.15	
10	10.60	9.60	4.50	5.65	
09	10.10	9.10	4.00	5.15	
08	9.60	8.60	3.50	4.65	
07	9.10	8.10	3.00	4.15	
06	8.60	7.60	2.50	3.65	
05	8.10	7.10	2.00	3.15	
04	7.60	6.60	1.50	2.65	



RECOMMENDED FFC/FPC DIM.

X05B20 L XX X
 ① ② ③ ④

- ① Series Name: X05B20=0.5 mm Pitch(H=2.0mm)
- ② Assembly style : L:Low Contact SMT Type U:Upper Contact SMT Type
D:Double-Face Contact SMT Type H:Back-flip Double-Face Contact SMT Type
- ③ Number of terminals :XX=04-34PIN
- ④ Plating : G:Gold Flash Over Nickel T:Tin Over Nickel

广东星坤科技股份有限公司

Δ*	日期
Δx	日期
Δ效	日期
MARK	DESCRIPTION
文件	工程章

REVISIONS

UNSPECIFIED TOLERANCES

www.xk-dg.cn www.helloxkb.com www.helloxkb.cn

DSND	DATE	SCALE: N/A	MODEL TYPE: FPC CONNECTOR
DWN	DATE	VIEW:	PART NO.:
CHKD	DATE	UNIT: mm/in	DWG NO.:
APPD	DATE	SIZE: A4	X05B20LXXX
XKB INDUSTRIAL PRECISION CO., LIMITED			WEIGHT 1.0g
			SHEET 1/1
			REVISION A0

