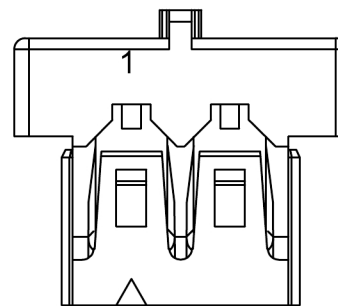
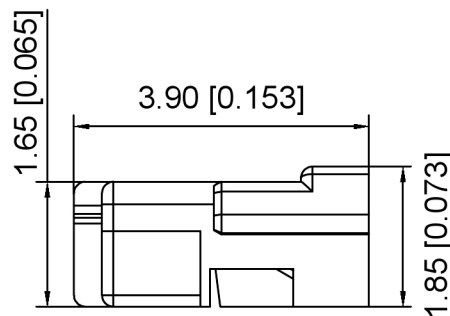
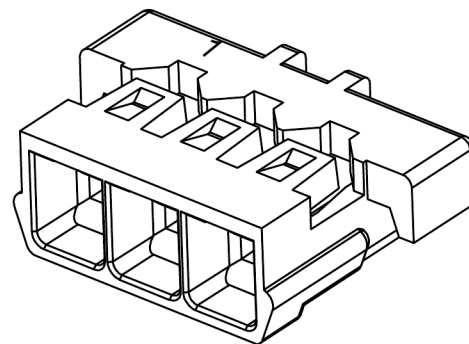


3~12 Pin Shape



02 Pin Shape

Specifications:

规格:

- Voltage rating: 30V AC/DC
- 额定电压: 30V AC/DC
- Current rating: 3A AC/DC
- 额定电流: 3A AC/DC
- Withstanding voltage: 500V AC/minute
- 耐受电压: 500V AC/分钟
- Temperature range: -40°C~+125°C
- 温度范围: -40°C~+125°C
- Insulation resistance: 100MΩ min
- 绝缘电阻: 100MΩ Min
- Contact resistance: 20mΩ Max
- 接触电阻: 20mΩ Max

X1300 H - XX - N0 HF X  
 ① ② ③ ④ ⑤ ⑥

- 1. Series No
- 2. Category: H-HSG
- 3. Row No. Pin No: XX-02~12P
- 4. Material: N0-PA66 UL94V-0
- 5. Special No: HF-Halogen Free
- 6. Color: Blank-Natural ; BK-Black

Poles	Dimensions(mm)			Poles	Dimensions(mm)		
	A	B	C		A	B	C
02	3.15	2.85	1.30	08	10.95	10.65	9.10
03	4.45	4.15	2.60	09	12.25	11.95	10.40
04	5.75	5.45	3.90	10	13.55	13.25	11.70
05	7.05	6.75	5.20	11	14.85	14.55	13.00
06	8.35	8.05	6.50	12	16.15	15.85	14.30
07	9.65	9.35	7.80		/		

X1300H-XX-N0HF	PA66	X1300W	X1300T
X1300H-XX-N0HFBK			
PART NO	Material	Suitable XKB Wafer	Suitable XKB Terminal

DSND	SCALE: N/A	MODEL TYPE:
DWN	VIEW:	1.3mm Crimp Style Connector
CHKD	UNIT: mm/in	PART NO.:
APPD	SIZE: A4	X1300H-XX-N0HF
		DWG NO.:
		X-X1300H-XX-N0HF
		WEIGHT
		SHEET
		REVISION
		1/1
		A0



XKB INDUSTRIAL PRECISION CO., LIMITED

ANGLAR	±5°
L ≤ 4	±0.2
4 < L ≤ 16	±0.3
16 < L ≤ 63	±0.4
L > 63	±0.5
UNSPECIFIED TOLERANCES	