

Specifications:

规格:

Voltage rating:250V AC/DC

额定电压: 250V AC/DC

Current rating:3A AC/DC

额定电流: 3A AC/DC

Withstanding voltage:800V AC/minute

耐受电压: 800V AC/分钟

Temperature range:-25°C~+85°C

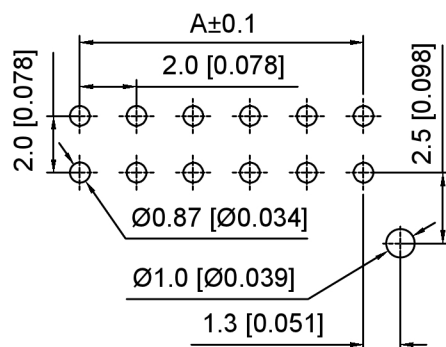
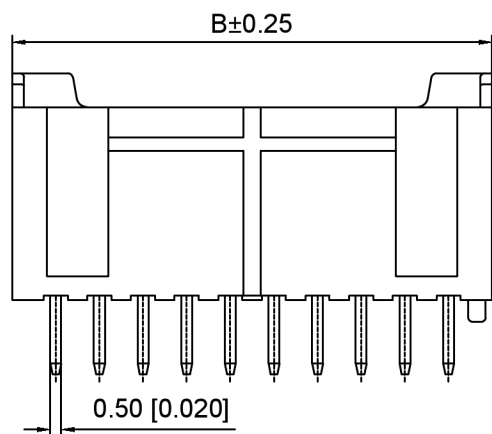
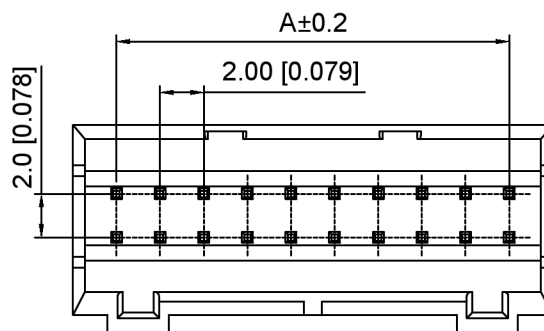
温度范围: -25°C~+85°C

Insulation resistance:1000MΩ min

绝缘电阻: 1000MΩ Min

Contact resistance:20mΩ Max

接触电阻: 20mΩ Max



PCB LAYOUT

X2015 W V - 2xXX - 46 SN
 ① ② ③ ④ ⑤ ⑥

- 1.Series No
- 2.Category:W-Wafer
- 3.Welding Board Angle:V-Stright 180°
- 4.Row No.Pin No:2xXX-2x02~2x20P
- 5.Material:46-Nylon46 UL94V-0
- 6.Plating:SN-Tin Plated

Poles	Dimensions(mm)		Poles	Dimensions(mm)	
	A	B		A	B
2x02	2.00	6.00	2x08	14.00	18.00
2x03	4.00	8.00	2x09	16.00	20.00
2x04	6.00	10.00	2x10	18.00	22.00
2x05	8.00	12.00	2x11	20.00	24.00
2x06	10.00	14.00	2x12	22.00	26.00
2x07	12.00	16.00	2x20	38.00	42.00

X2015WW-2xXX-46SN	Nylon46	Brass	X2015H
PART NO	Material	Material(Pin)	Suitable XKB Housing

DSND		SCALE: N/A	MODEL TYPE: 2.0mm Crimp Style Connector
DWN		VIEW:	PART NO.: X2015WW-2xXX-46SN
CHKD		UNIT: mm/in	DWG NO.: X-X2015WW-2xXX-46SN
APPD		SIZE: A4	WEIGHT
			SHEET
			REVISION
			1/1
			A0

广东星坤科技股份有限公司

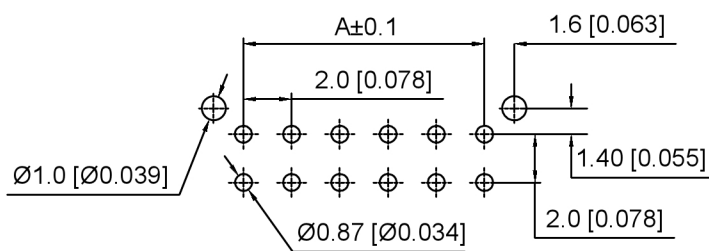
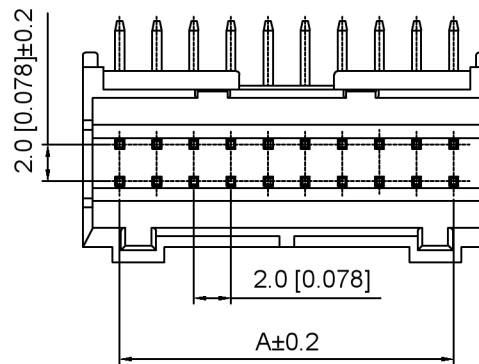
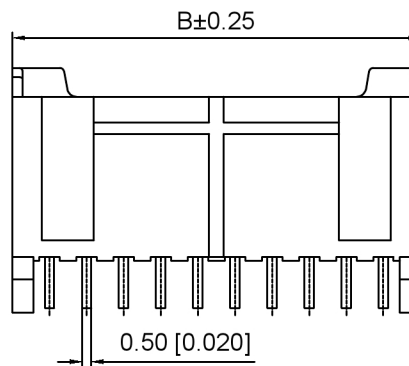
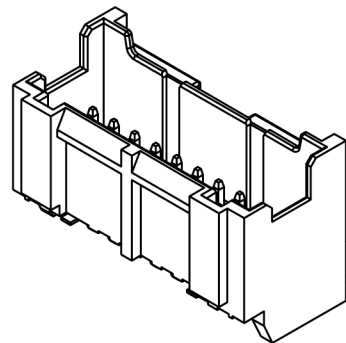
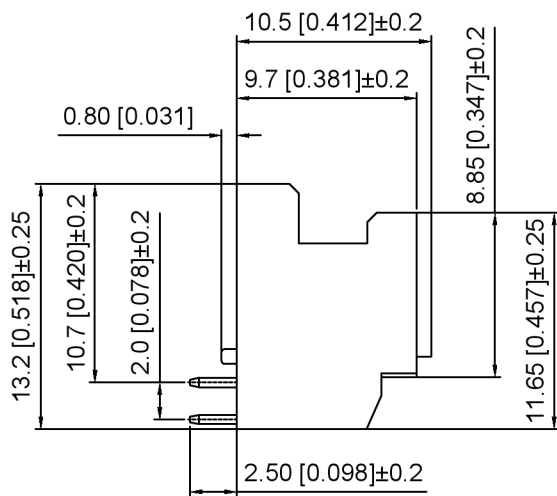
MARK	DESCRIPTION	DATE	REVISED	APPROVED
Δx				
Δx				
Δx				

文件工程章

REVISIONS	UNSPECIFIED TOLERANCES
	ANGULAR ±5°
	L ≤ 4 ±0.2
	4 < L ≤ 16 ±0.3
	16 < L ≤ 63 ±0.4
	L > 63 ±0.5



XKB INDUSTRIAL PRECISION CO., LIMITED



PCB LAYOUT

Specifications:

规格:

Voltage rating: 250V AC/DC

额定电压: 250V AC/DC

Current rating: 3A AC/DC

额定电流: 3A AC/DC

Withstanding voltage: 800V AC/minute

耐受电压: 800V AC/分钟

Temperature range: -25°C~+85°C

温度范围: -25°C~+85°C

Insulation resistance: 1000MΩ min

绝缘电阻: 1000MΩ Min

Contact resistance: 20mΩ Max

接触电阻: 20mΩ Max

X2015 W R - 2xXX - N0 SN
 ① ② ③ ④ ⑤ ⑥

1. Series No
2. Category: W-Wafer
3. Welding Board Angle: R-Stright 90°
4. Row No. Pin No: 2xXX-2x02~2x20P
5. Material: N0-Nylon66 UL94V-0
6. Plating: SN-Tin Plated

Poles	Dimensions(mm)		Poles	Dimensions(mm)	
	A	B		A	B
2x02	2.00	6.00	2x08	14.00	18.00
2x03	4.00	8.00	2x09	16.00	20.00
2x04	6.00	10.00	2x10	18.00	22.00
2x05	8.00	12.00	2x11	20.00	24.00
2x06	10.00	14.00	2x12	22.00	26.00
2x07	12.00	16.00	2x20	38.00	42.00

X2015WR-2xXX-N0SN	Nylon66	Brass	X2015H
PART NO	Material	Material(Pin)	Suitable XKB Housing

DSND	SCALE: N/A	MODEL TYPE: 2.0mm Crimp Style Connector
DWN	VIEW:	PART NO.: X2015WR-2xXX-N0SN
CHKD	UNIT: mm/in	DWG NO.: X-X2015WR-2xXX-N0SN
APPD	SIZE: A4	WEIGHT



XKB INDUSTRIAL PRECISION CO., LIMITED

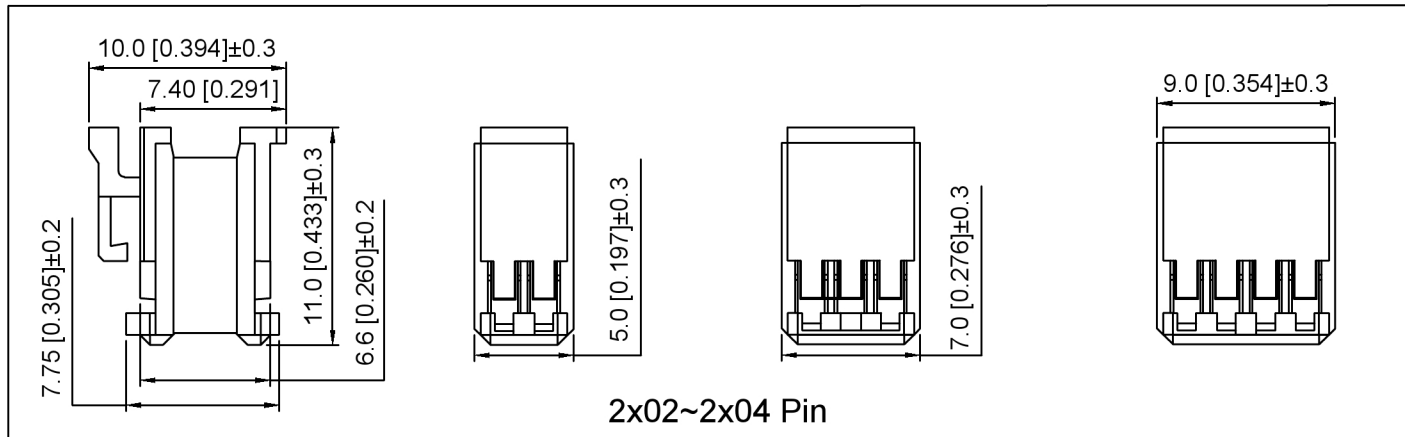
ANGLAR	±5°
L ≤ 4	±0.2
4 < L ≤ 16	±0.3
16 < L ≤ 63	±0.4
L > 63	±0.5
UNSPECIFIED TOLERANCES	

广东星坤科技股份有限公司

ΔX	日期
ΔX	日期
ΔX	日期
MARK	DESCRIPTION

文件工程章

REVISIONS	DATE	REVISED	APPROVED
www.helloxkb.com	www.helloxkb.cn	www.xk-dg.cn	



Specifications:

规格:

Voltage rating: 250V AC/DC

额定电压: 250V AC/DC

Current rating: 3A AC/DC

额定电流: 3A AC/DC

Withstanding voltage: 800V AC/minute

耐受电压: 800V AC/分钟

Temperature range: -25°C~+85°C

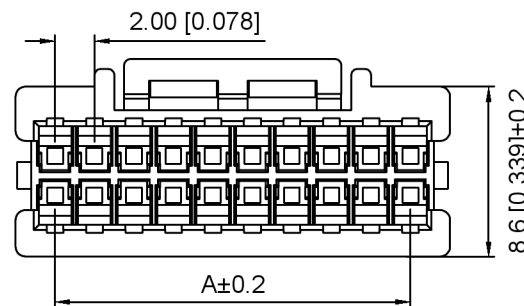
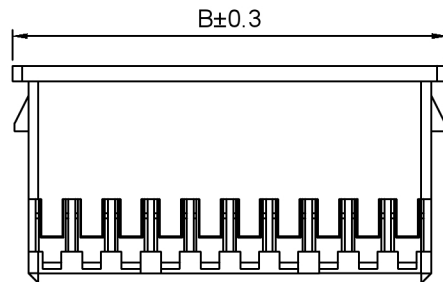
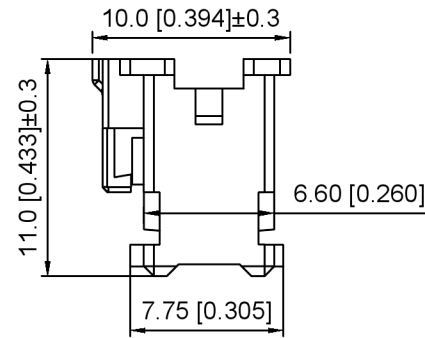
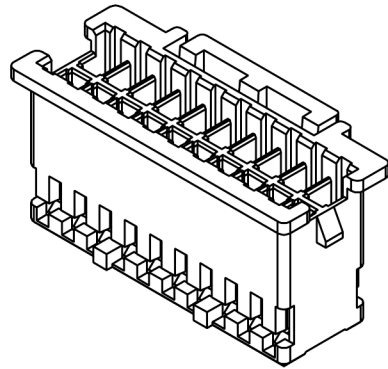
温度范围: -25°C~+85°C

Insulation resistance: 1000MΩ min

绝缘电阻: 1000MΩ Min

Contact resistance: 20mΩ Max

接触电阻: 20mΩ Max



2x05 Pin 以上

X2015 H - 2xXX - N0

① ② ③ ④

1. Series No

2. Category: H-HSG

3. Row No. Pin No: 2xXX-2x02~2x20P

4. Material: N0-Nylon66 UL94V-0

Poles	Dimensions(mm)		Poles	Dimensions(mm)	
	A	B		A	B
2x02	2.00	5.00	2x08	14.00	18.00
2x03	4.00	7.00	2x09	16.00	20.00
2x04	6.00	9.00	2x10	18.00	22.00
2x05	8.00	12.00	2x11	20.00	24.00
2x06	10.00	14.00	2x12	22.00	26.00
2x07	12.00	16.00	2x20	38.00	42.00

X2015H-2xXX-N0	Nylon66	X2015W	X2015T
PART NO	Material	Suitable XKB Wafer	Suitable XKB Terminal

DSND	SCALE: N/A	MODEL TYPE: 2.0mm Crimp Style Connector
DWN	VIEW:	PART NO.: X2015H-2xXX-N0
CHKD	UNIT: mm/in	DWG NO.: X-X2015H-2xXX-N0
APPD	SIZE: A4	



XKB INDUSTRIAL PRECISION CO., LIMITED

WEIGHT	SHEET	REVISION
	1/1	A0

广东星坤科技股份有限公司

Δ建	日期
Δ改	
ΔX	

MARK \ DESCRIPTION DATE REVISED APPROVED

文件工程章

Specifications:

规格:

Voltage rating:250V AC/DC

额定电压: 250V AC/DC

Current rating:3A AC/DC

额定电流: 3A AC/DC

Withstanding voltage:800V AC/minute

耐受电压: 800V AC/分钟

Temperature range:-25°C-+85°C

温度范围: -25°C-+85°C

Insulation resistance:≥1000MΩ

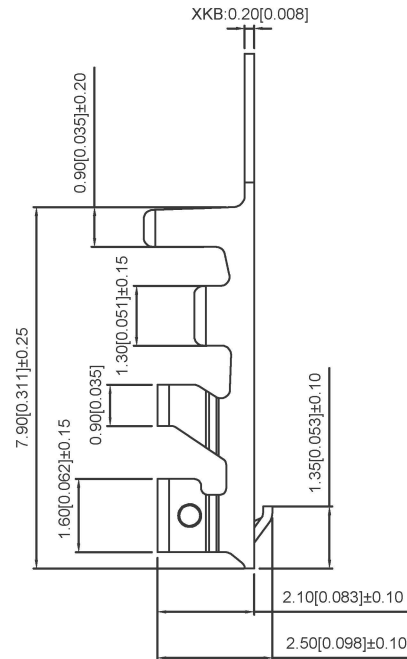
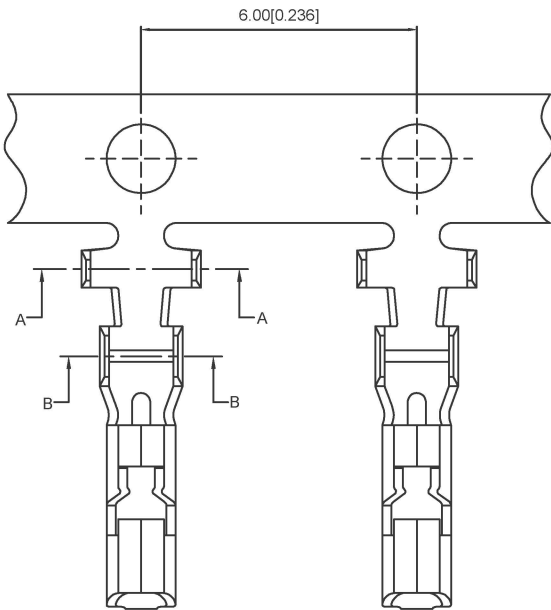
绝缘电阻: ≥1000MΩ

Contact resistance:≤10mΩ

接触电阻: ≤10mΩ

After environmental testing:≤20mΩ

环境测试后: ≤20兆欧



X2015 T- P SN

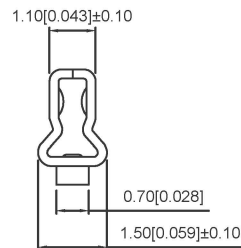
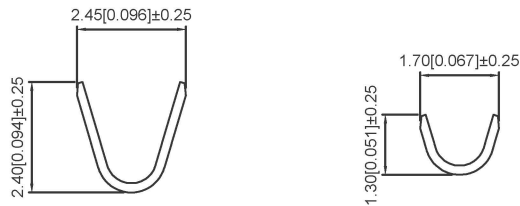
① ② ③ ④

1. Series Number

2. Category: T-terminal

3. Material: P-Phosphor bronze

4. Plating style: SN-Bright tin plating



X2015T-PSN	Phosphor Bronze	AWG#22-28	1.5mm(MAX)	Stamping Before Plating; 30u MIN Ni ; 70u MIN Sn	X2015H
PART NO	Material	Wire Range	Insulation OD	Finish	Suitable XKB

广东星坤科技股份有限公司

生	日期
ΔX	日期
ΔX	日期
ΔX	日期
MARK	文件工程章

units:	mm
tolerance:	
X.X	±0.2mm
X.XX	±0.1mm
X.XXX	±0.05mm
	UNSPECIFIED TOLERANCES

DSND		DATE		SCALE: N/A
DWN		DATE		VIEW:
CHKD		DATE		UNIT: mm/in
APPD		DATE		SIZE: A4
KKB INDUSTRIAL PRECISION CO., LIMITED				

MODEL TYPE: Wire to board connector		
PART NO.: 2.00mm Crimp Style Connectors		
DWG NO.: X2015T-PSN		
WEIGHT	SHEET	REVISION
1.0g	1/1	A0