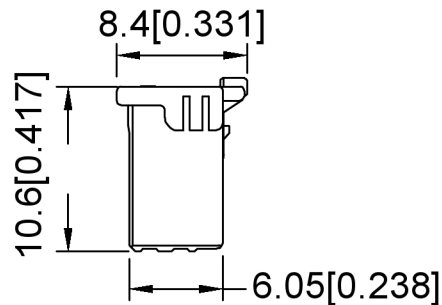
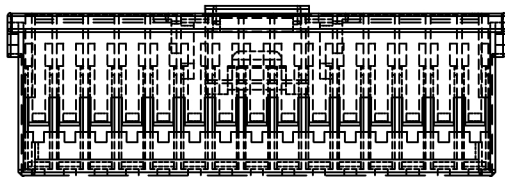


Specifications:

规格:

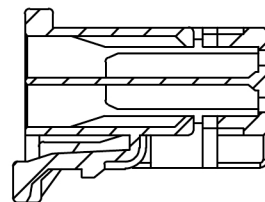
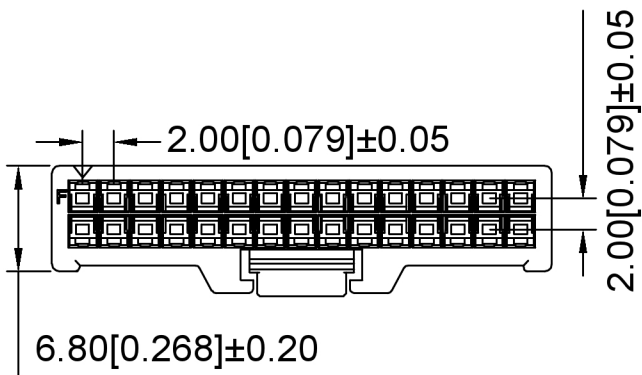
- Voltage rating: 250V AC/DC
- 额定电压: 250V AC/DC
- Current rating: 3A AC/DC
- 额定电流: 3A AC/DC
- Withstanding voltage: 1000V AC/minute
- 耐受电压: 1000V AC/分钟
- Temperature range: -25°C~+85°C
- 温度范围: -25°C~+85°C
- Insulation resistance: $\geq 1000M\Omega$
- 绝缘电阻: $\geq 1000M\Omega$
- Contact resistance: $\leq 10m\Omega$
- 接触电阻: $\leq 10m\Omega$
- After environmental testing: $\leq 20m\Omega$
- 环境测试后: ≤ 20 兆欧



X2081 H-2xXX-N0

- ① ② ③ ④

1. Series No
2. Category: H-HSG
3. Row No-Pin No: 2xXX-2x05P~2x20P
5. Material: N0-PA66 94V-0



截面 B-B

Poles	Dimension(mm)				Poles	Dimension(mm)			
	A	B	C	D		A	B	C	D
10	12.00	8.00	10.60	5.10	26	28.00	24.00	26.60	6.80
12	14.00	10.00	12.60	6.80	28	30.00	26.00	28.60	6.80
14	16.00	12.00	14.60	6.80	30	32.00	28.00	30.60	6.80
16	18.00	14.00	16.60	6.80	32	34.00	30.00	32.60	6.80
18	20.00	16.00	18.60	6.80	34	36.00	32.00	34.60	6.80
20	22.00	18.00	20.60	6.80	36	38.00	34.00	36.60	6.80
22	24.00	20.00	22.60	6.80	38	40.00	36.00	38.60	6.80
24	26.00	22.00	24.60	6.80	40	42.00	38.00	40.60	6.80

X2081H-2xXX-N0	PA66 UL 94V-0	X2081W	X2081T
PART NO	Material	Suitable XKB Wafer	Suitable XKB Terminal

广东星坤科技股份有限公司

Δx	日期
Δx	日期
Δx	日期

文件工程章

MARK	DESCRIPTION	DATE	REVISED	APPROVED	ANGLAR	±5°
					L ≤ 4	±0.2
					4 < L ≤ 16	±0.3
					16 < L ≤ 63	±0.4
					L > 63	±0.5
					UNSPECIFIED TOLERANCES	



DSND	SCALE: N/A	MODEL TYPE: 2.0mm Crimp Style Connector
DWN	VIEW:	PART NO.: X2081H-2xXX-N0
CHKD	UNIT: mm/in	DWG NO.: X-X2081H-2xXX-N0
APPD	SIZE: A4	WEIGHT
XKB INDUSTRIAL PRECISION CO., LIMITED		SHEET
		REVISION
		1/1
		A0