

Specifications:

规格:  
 Voltage rating: 400V AC/DC  
 额定电压: 400V AC/DC  
 Current rating: 1A AC/DC  
 额定电流: 1A AC/DC  
 Withstanding voltage: 1000V AC/minute  
 耐受电压: 1000V AC/分钟  
 Temperature range: -40°C~+85°C  
 温度范围: -40°C~+85°C  
 Insulation resistance: ≥1000MΩ min  
 绝缘电阻: ≥1000MΩ Min  
 Contact resistance: ≤30mΩ  
 接触电阻: ≤30mΩ

X4002 W M - XX - LP SW  
 ① ② ③ ④ ⑤ ⑥

1. Series No
2. Category: W-Wafer
3. Category: M-Male
4. Row No. Pin No: XX-02 Pin
5. Material: LP-LCP UL 94V-0
6. Plating: SW-Matte Tin

X4002WM-XX-LPSW	LCP	Phosphor Bronze	X4002WF
PART NO	Material	Material(Pin)	Suitable XKB Female

PCB LAYOUT

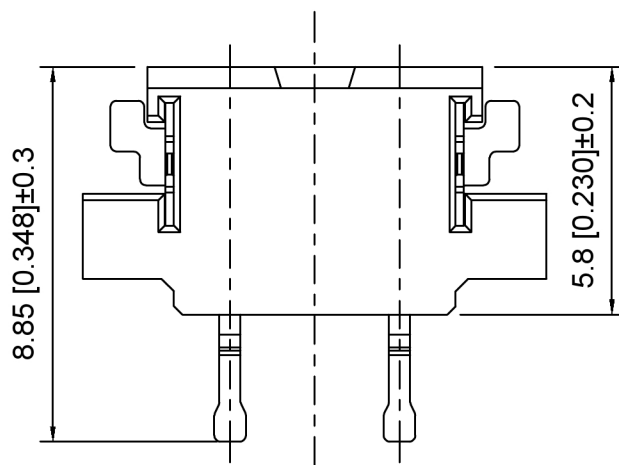
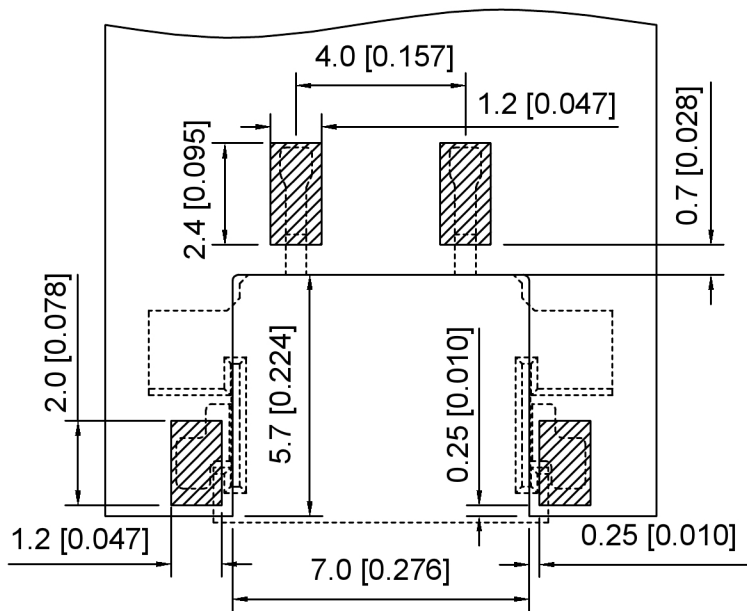
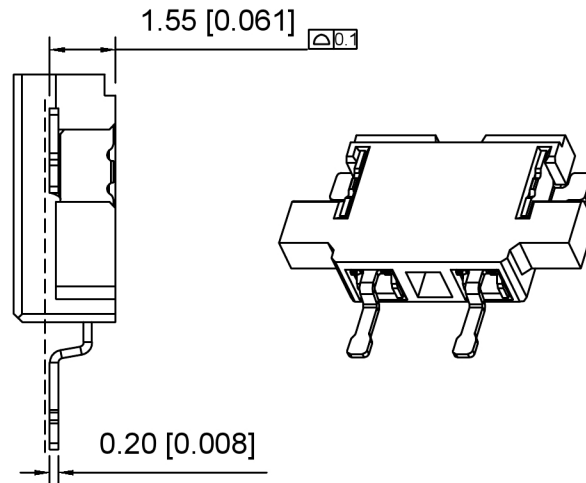
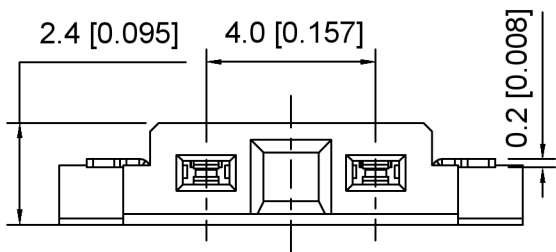
广东星坤科技股份有限公司

MARK	DESCRIPTION	DATE	REVISED	APPROVED	UNSPECIFIED TOLERANCES
Δ*					ANGLAR ±5°
Δx					L ≤ 4 ±0.2
Δ效					4 < L ≤ 16 ±0.3
					16 < L ≤ 63 ±0.4
					L > 63 ±0.5



DSND	SCALE: N/A	MODEL TYPE:
DWN	VIEW:	4.0mm BTB Connector
CHKD	UNIT: mm/in	PART NO.: X4002WM-XX-LPSW
APPD	SIZE: A4	DWG NO.: X-X4002WM-XX-LPSW
XKB INDUSTRIAL PRECISION CO., LIMITED		WEIGHT
		SHEET 1/1
		REVISION A0

文件工程章



Specifications:

规格:  
 Voltage rating: 400V AC/DC  
 额定电压: 400V AC/DC  
 Current rating: 1A AC/DC  
 额定电流: 1A AC/DC  
 Withstanding voltage: 1000V AC/minute  
 耐受电压: 1000V AC/分钟  
 Temperature range: -40°C +85°C  
 温度范围: -40°C +85°C  
 Insulation resistance: ≥1000MΩ min  
 绝缘电阻: ≥1000MΩ Min  
 Contact resistance: ≤30mΩ  
 接触电阻: ≤30mΩ

X4002 W F - XX - LP SW  
 ① ② ③ ④ ⑤ ⑥

1. Series No
2. Category: W-Wafer
3. Category: F-Female
4. Row No. Pin No: XX-02 Pin
5. Material: LP-LCP UL 94V-0
6. Plating: SW-Matte Tin

PCB LAYOUT

X4002WF-XX-LPSW	LCP	Phosphor Bronze	X4002WM
PART NO	Material	Material(Pin)	Suitable XKB Wafer

DSND	SCALE: N/A	MODEL TYPE: 4.0mm BTB Connector
DWN	VIEW:	PART NO.: X4002WF-XX-LPSW
CHKD	UNIT: mm/in	DWG NO.: X-X4002WF-XX-LPSW
APPD	SIZE: A4	WEIGHT SHEET REVISION 1/1 A0



XKB INDUSTRIAL PRECISION CO., LIMITED

ANGLAR	±5°
L ≤ 4	±0.2
4 < L ≤ 16	±0.3
16 < L ≤ 63	±0.4
L > 63	±0.5

UNSPECIFIED TOLERANCES

www.helloxkb.com www.helloxkb.cn www.xk-dg.cn

广东星坤科技股份有限公司

Δ#	日期
Δx	日期
Δx	日期

文件工程章

DESCRIPTION

DATE

REVISED

APPROVED

REVISIONS