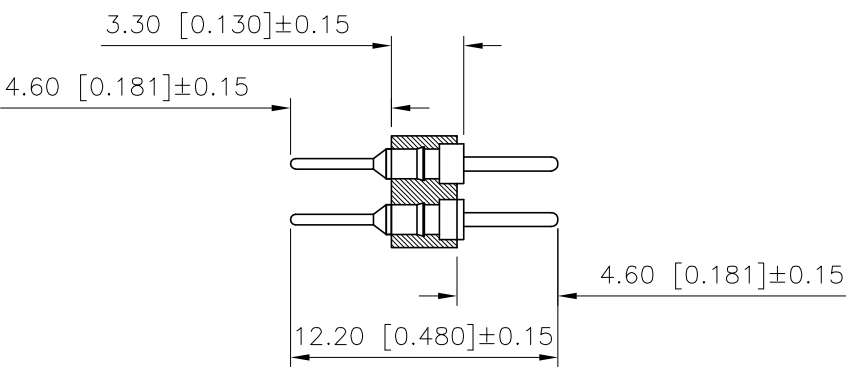
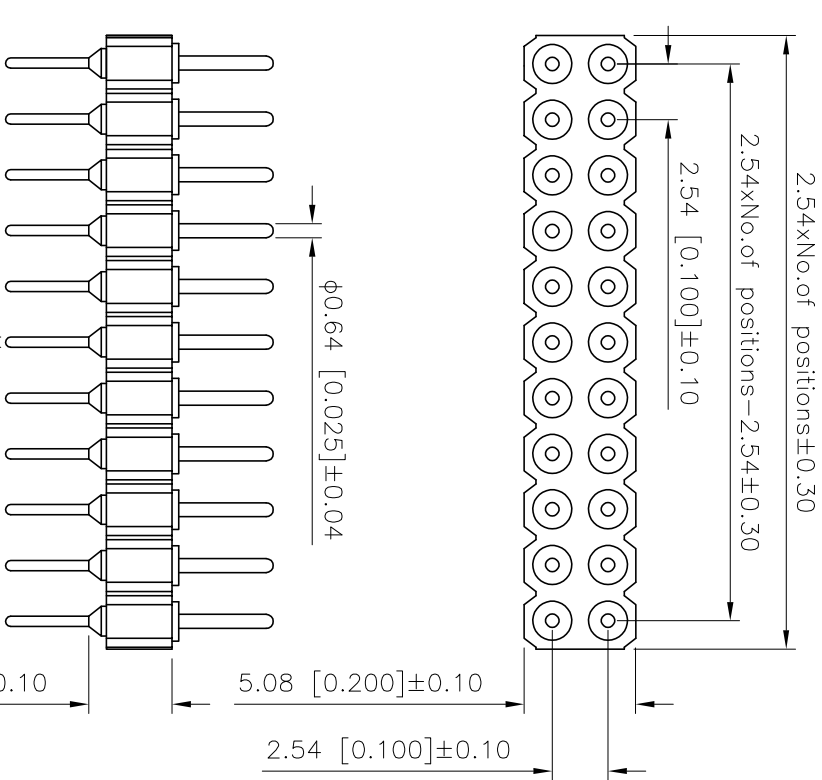


REVISIONS					
REV.	ECN NO.	LOCATION	DESCRIPTION	DATE	DESIGN
A0	N/A		INITIAL RELEASE	2024.01.15	

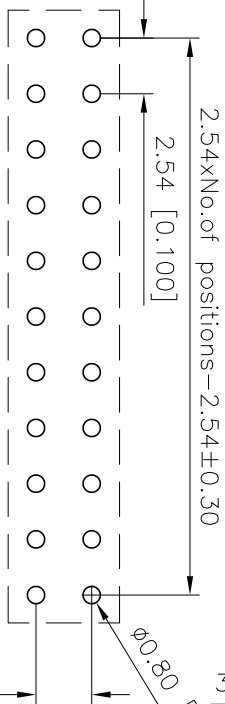
TECHNICAL DATE
PIN(OUTER SLEEVE):BRASS,MACHINED CUZn38PB2
INSULATOR:PPS UL94V-0 COLOUR:BLACK
CURRENT RATING:3Amps
MATING PINØ:0.47/0.64mm
CONTACT RESISTANCE: 10mΩ MAX
DIELECTRIC STRENGTH:1000V RMS
OPERALING TEMPERATURE:-40 °C TO +105°C
SOLDERING TEMPERATURE:+255°C



PART NO.:

X5521 W V-2xxx-C46 D46 1220
① ② ③ ④ ⑤ ⑥ ⑦

- ① Series No
- ② Category:W-Adfaer
- ③ Welding Board Angle:V-Straight 180°
- ④ Row No-Pin
- ⑤ Plastic Height:C=4, 6mm
- ⑥ Pin Length:D=4, 6mm
- ⑦ 1220: Type1220

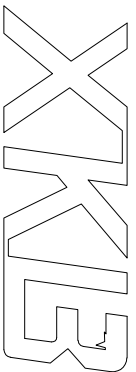


Recommended P.C.B
Layout(±0.05)

X5521W-2xxx-C46D46-1220	PPS 94V-0	BRASS	TIN/GOLD 1u"	X5521F
PART NO.	MATERIAL	MATERIAL(TERMINAL)	FINISH(TERMINAL)	MATES WITH XKB PIN HEADER

ANGULAR	±5°
X.	±0.40
X.X	±0.30
X.XX	±0.20
X.XXX	±0.15

UNSPECIFIED TOLERANCES



DESIGN 桑葚
CHECKED
APPROVED

VIEW: UNIT: mm/in
SIZE: A4

MODEL TYPE: 2.0mm Crimp Style Connector
PART NO.: X5521W-2xxx-C46D46-1220
DWG NO.:

XKB INDUSTRIAL PRECISION CO.,LIMITED

SCALE N/A PAGE 1/1 REVISION A0