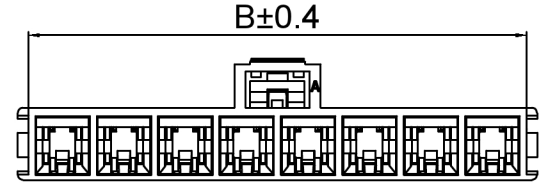
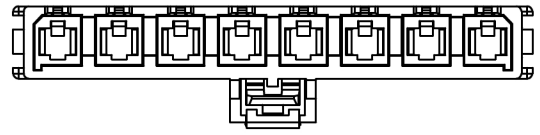
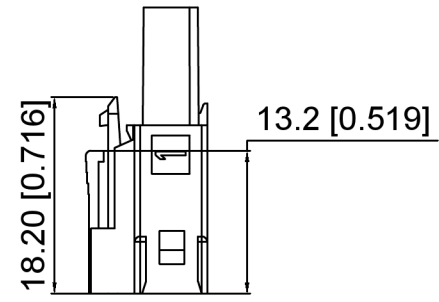
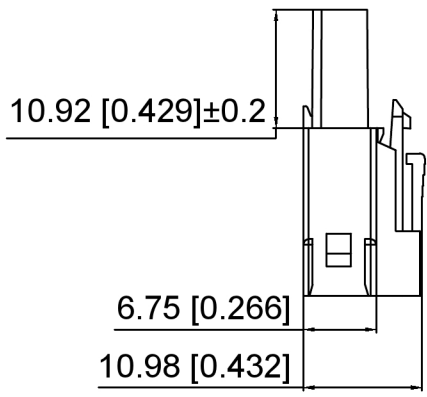
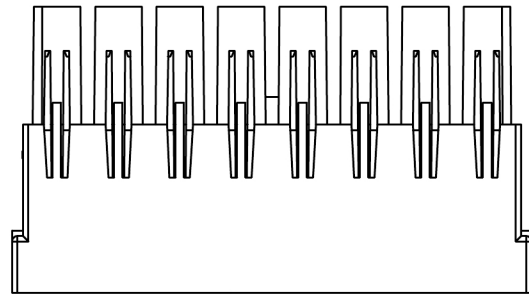
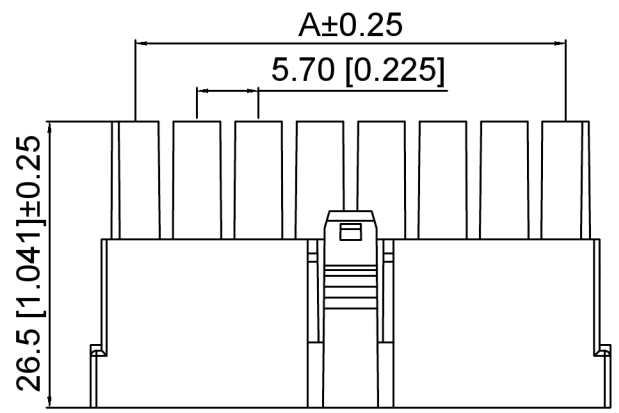


Specifications:
 规格:
 Voltage rating:600V AC/DC
 额定电压: 600V AC/DC
 Current rating:23A AC/DC
 额定电流: 23A AC/DC
 Withstanding voltage:2200V AC/minute
 耐受电压: 2200V AC/分钟
 Temperature range:-40°C~+105°C
 温度范围: -40°C~+105°C
 Insulation resistance:1000MΩ min
 绝缘电阻: 1000MΩ Min
 Contact resistance:10mΩ Max
 接触电阻: 10mΩ Max



X5701 H - XX - N0
 ① ② ③ ④

- 1.Series No
- 2.Category:H-HSG
- 3.Row No.Pin No:XX-02~08P
- 4.Material:N0-Nylon 66 UL94V-0 Black



Poles	Dimensions(mm)	
	A	B
2	5.70	12.05
3	11.40	17.75
4	17.10	23.45
5	22.80	29.15
6	28.50	34.85
7	34.20	40.55
8	39.90	46.25

X5701H-XX-N0	Nylon 66	X5701W	X5701H
PART NO	Material	Suitable XKB Wafer	Suitable XKB Housing

DSND	SCALE: N/A	MODEL TYPE: 5.7mm Crimp Style Connector
DWN	VIEW:	PART NO.: X5701H-XX-N0
CHKD	UNIT: mm/in	DWG NO.: X-X5701H-XX-N0
APPD	SIZE: A4	

广东星坤科技股份有限公司

ΔX		日期
ΔX		
ΔX		
MARK	DESCRIPTION	DATE

文件工程章

REVISIONS	DATE	REVISED	APPROVED	UNSPECIFIED TOLERANCES
				ANGLAR ±5°
				L ≤ 4 ±0.2
				4 < L ≤ 16 ±0.3
				16 < L ≤ 63 ±0.4
				L > 63 ±0.5



XKB INDUSTRIAL PRECISION CO., LIMITED

WEIGHT	SHEET	REVISION
	1/1	A0