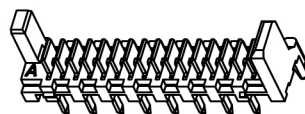
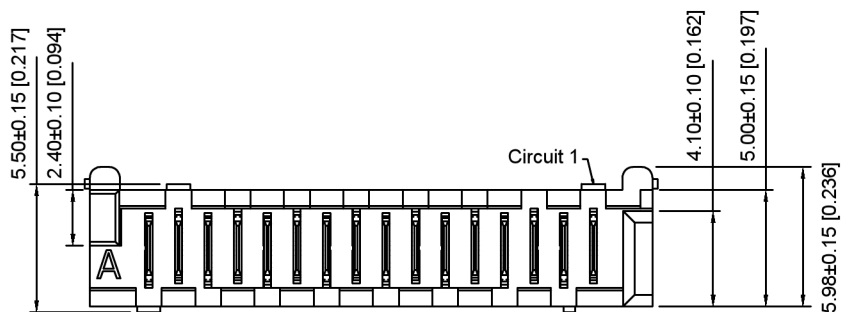
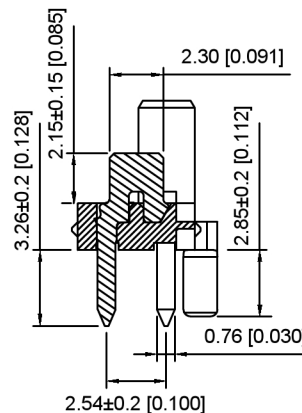
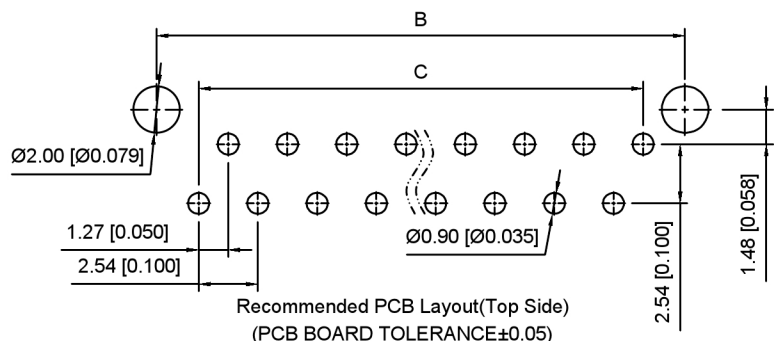


Voltage rating:500V AC/DC
额定电压:500V AC/DC
Current rating:2.4A
额定电流: 2.4A
Insulation resistance:1000MΩ Min
绝缘电阻: 1000MΩ Min
Withstanding voltage:≥500V AC/minute
耐压: ≥500VC/分钟
Temperature range:-40℃-+105℃
使用温度: -40℃-+105℃



X9127 W V -XX - 9T SW X
 ① ② ③ ④ ⑤ ⑥ ⑦

- ① Series No.
- ② Category:W-wafer
- ③ Welding Board Angle:V- Straight 180°
- ④ Row No.-Pin No.:XX-04P~26P
- ⑤ Material:9T-Nylon PA9T UL94V-0
- ⑥ Planting Category:SW-Bright Tin plating
- ⑦ Color: BK-Black W-White



CCT SIZE	BIM.A	BIM.B	BIM.C	BIM.D	CCT SIZE	BIM.A	BIM.B	BIM.C	BIM.D
4	8.86	6.35	3.81	7.66	16	24.10	21.59	19.05	22.90
6	11.40	8.89	6.35	10.20	18	26.64	24.13	21.59	25.44
8	13.94	11.43	8.89	12.74	20	29.18	26.67	24.13	27.98
10	16.48	13.94	11.43	15.28	22	31.72	29.21	26.67	30.52
12	19.02	16.51	13.97	17.82	24	34.26	31.75	29.21	33.06
14	21.56	19.05	16.51	20.36	26	36.80	34.29	31.75	35.60

X9127WV-XX-9TSWBK	Black	Nylon PA9T UL94V-0	Brass	Tin-Plated
X9127WV-XX-9TSWW	White			
PART NO	Color	Material	Material(Pin)	Finish(Pin)

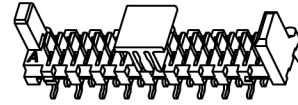
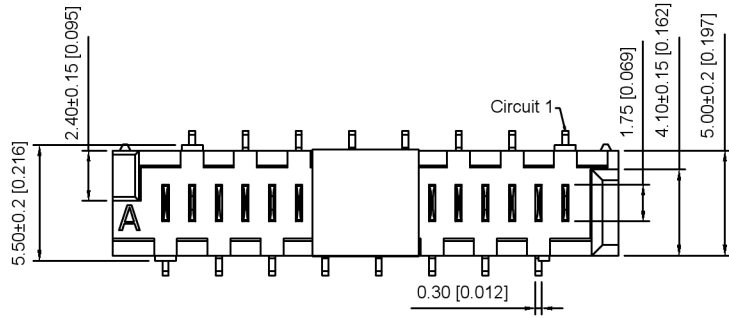
广东星坤科技股份有限公司

生效	日期					ANGULAR	±5°
ΔX						L ≤ 4	±0.2
ΔX						4 < L ≤ 16	±0.3
ΔX						16 < L ≤ 63	±0.4
MARK						L > 63	±0.5
文件工程	DESIGN	DATE	REVISED	APPROVED		UNSPECIFIED TOLERANCES	
REVISIONS							



XKB INDUSTRIAL PRECISION CO., LIMITED

DSND	SCALE: N/A	MODEL TYPE: 1.27mm Crimp Style Connectors		
DWN	VIEW:	PART NO.: X9127WV-XX-9TSWX		
CHKD	UNIT: mm/in	DWG NO.: X-X9127WV-XX-9TSWX		
APPD	SIZE: A4	WEIGHT	SHEET	REVISION
			1/1	A0



Voltage rating:500V AC/DC

额定电压: 500V AC/DC

Current rating:2.4A

额定电流: 2.4A

Insulation resistance:1000MΩ Min

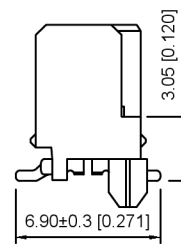
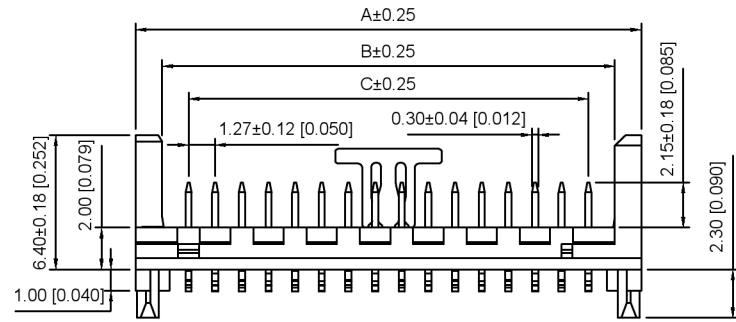
绝缘电阻: 1000MΩ Min

Withstanding voltage:≥500V AC/minute

耐压: ≥500VC/分钟

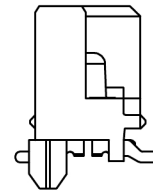
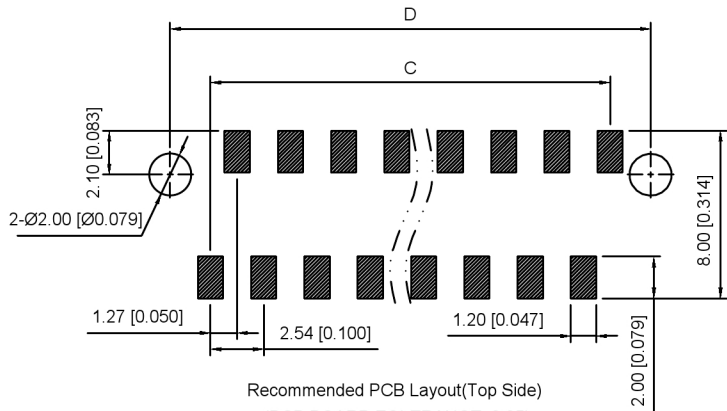
Temperature range:-40℃-+105℃

使用温度: -40℃-+105℃



X9127 W V S -XX - 9T SW X
① ② ③ ④ ⑤ ⑥ ⑦ ⑧

- ① Series No.
- ② Category:W-wafer
- ③ Welding Board Angle:V- Straight 180°
- ④ Welding Way:S-SMT
- ⑤ Row No.-Pin No.:XX-04P~26P
- ⑥ Material:9T-Nylon PA9T UL94V-0
- ⑦ Planting Category:SW-Bright Tin plating
- ⑧ Color: BK-Black W-White



CCT SIZE	BIM.A	BIM.B	BIM.C	BIM.D	CCT SIZE	BIM.A	BIM.B	BIM.C	BIM.D
4	8.86	6.35	3.81	7.66	16	24.10	21.59	19.05	22.90
6	11.40	8.89	6.35	10.20	18	26.64	24.13	21.59	25.44
8	13.94	11.43	8.89	12.74	20	29.18	26.67	24.13	27.98
10	16.48	13.94	11.43	15.28	22	31.72	29.21	26.67	30.52
12	19.02	16.51	13.97	17.82	24	34.26	31.75	29.21	33.06
14	21.56	19.05	16.51	20.36	26	36.80	34.29	31.75	35.60

X9127WVS-XX-9TSWBK	Black	Nylon PA9T UL94V-0	Brass	Tin-Plated
X9127WVS-XX-9TSWW	White			
PART NO	Color	Material	Material(Pin)	Finish(Pin)

广东星坤科技股份有限公司

生效日期

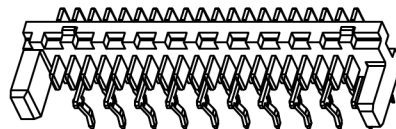
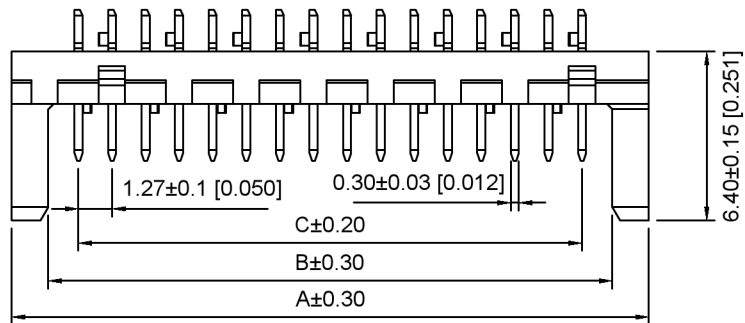
文件工程章

MARK	DESCRIPTION	DATE	REVISED	APPROVED	UNSPECIFIED TOLERANCES
ANGLAR	±5°				
L ≤ 4	±0.2				
4 < L ≤ 16	±0.3				
16 < L ≤ 63	±0.4				
L > 63	±0.5				

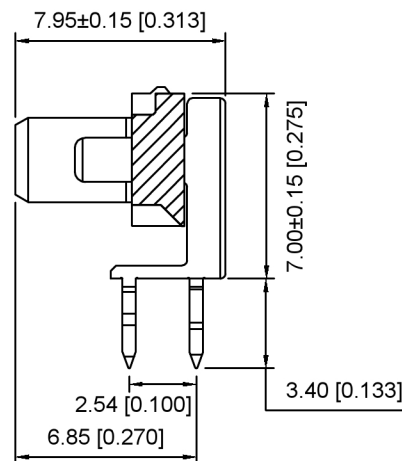
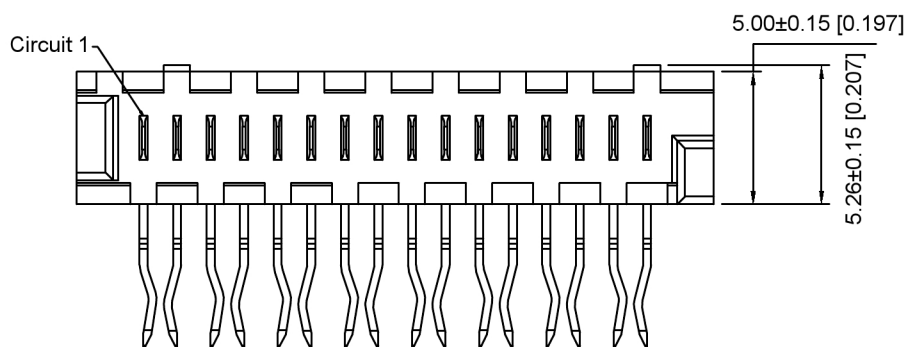
XKB

XKB INDUSTRIAL PRECISION CO., LIMITED

DSND	SCALE: N/A	MODEL TYPE: 1.27mm Crimp Style Connectors
DWN	VIEW:	PART NO.: X9127WVS-XX-9TSWX
CHKD	UNIT: mm/in	DWG NO.: X-X9127WVS-XX-9TSWX
APPD	SIZE: A4	WEIGHT
		SHEET
		REVISION
		1/1
		A0

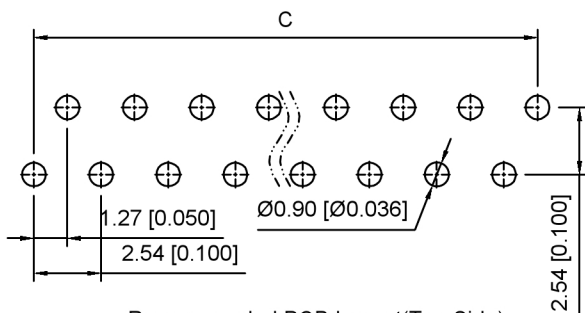


Voltage rating:500V AC/DC
 额定电压:500V AC/DC
 Current rating:2.4A
 额定电流:2.4A
 Insulation resistance:1000MΩ Min
 绝缘电阻:1000MΩ Min
 Withstanding voltage:≥500V AC/minute
 耐压:≥500VC/分钟
 Temperature range:-20℃-+105℃
 使用温度:-20℃-+105℃



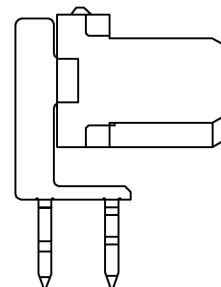
X9127 WR-XX-9T SW X
 ① ② ③ ④ ⑤ ⑥ ⑦

- ① Series No.
- ② Category:W-wafer
- ③ Welding Board Angle:R- Straight 90°
- ④ Row No.-Pin No.:XX-04P~26P
- ⑤ Material:9T-Nylon PA9T UL94V-0
- ⑥ Plating Category:SW-Bright Tin plating
- ⑦ Color: BK-Black W-White



CCT SIZE	DIM.A	DIM.B	DIM.C	CCT SIZE	DIM.A	DIM.B	DIM.C
4	8.86	6.35	3.81	16	24.10	21.59	19.05
6	11.40	8.89	6.35	18	26.64	24.13	21.59
8	13.94	11.43	8.89	20	29.18	26.67	24.13
10	16.48	13.94	11.43	22	31.72	29.21	26.67
12	19.02	16.51	13.97	24	34.26	31.75	29.21
14	21.56	19.05	16.51	26	36.80	34.29	31.75

X9127WR-XX-9TSWBK	Black	Nylon PA9T UL94V-0	Brass	Tin-Plated
X9127WR-XX-9TSWW	White			
PART NO	Color	Material	Material(Pin)	Finish(Pin)



Recommended PCB Layout(Top Side)
 (PCB BOARD TOLERANCE±0.05)

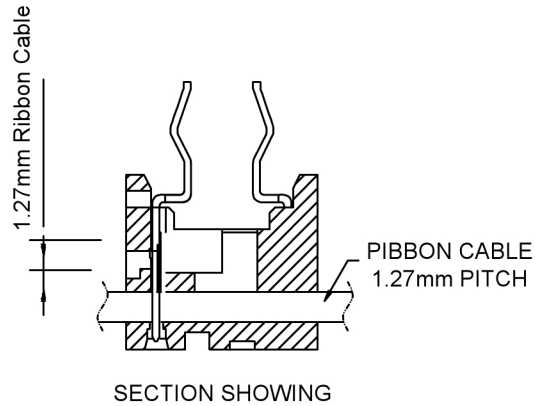
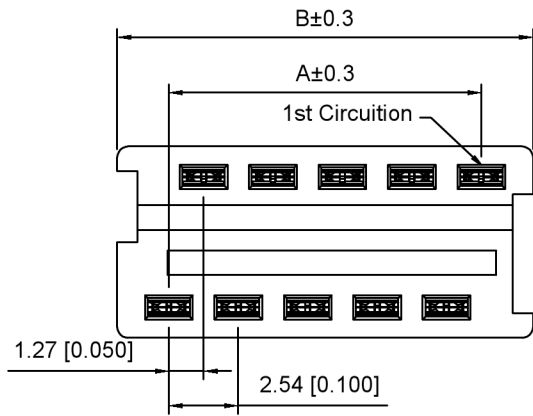
广东星坤科技股份有限公司

MARK	DESCRIPTION	DATE	REVISED	APPROVED	ANGLAR	±5°
Δ*	生效				L ≤ 4	±0.2
Δ*					4 < L ≤ 16	±0.3
Δ*	文件工程章				16 < L ≤ 63	±0.4
					L > 63	±0.5
REVISIONS					UNSPECIFIED TOLERANCES	
www.helloxkb.com www.helloxkb.cn www.xk-dg.cn						



DSND		SCALE: N/A	MODEL TYPE: 1.27mm Crimp Style Connectors
DWN		VIEW:	PART NO.: X9127WR-XX-9TSWX
CHKD		UNIT: mm/in	DWG NO.: X-X9127WR-XX-9TSWX
APPD		SIZE: A4	
		WEIGHT	SHEET
			REVISION
			1/1
			A0

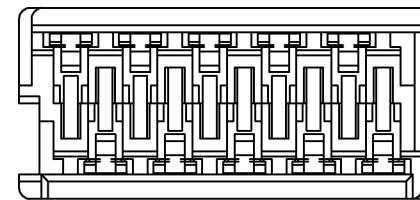
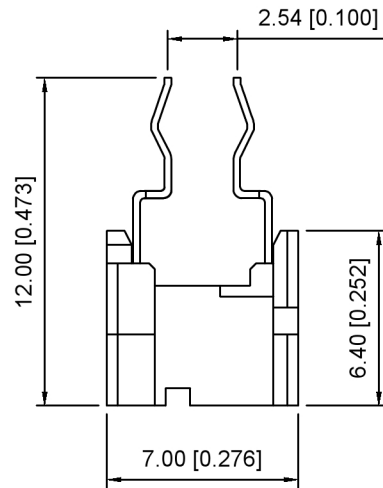
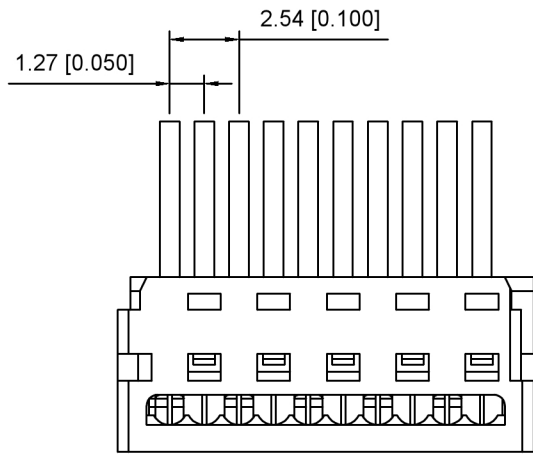
XKB INDUSTRIAL PRECISION CO., LIMITED



Voltage rating:500V AC/DC
 额定电压:500V AC/DC
 Current rating:1A
 额定电流:1A
 Insulation resistance:1000MΩ Min
 绝缘电阻:1000MΩ Min
 Withstanding voltage:≥500V AC/minute
 耐压:≥500V/分钟
 Temperature range:-40℃-+105℃
 使用温度:-40℃-+105℃
 Life:5000
 寿命:5000

X9127 H I-XX A1 - PT XX
 ① ②③④⑤ ⑥ ⑦

- ①Series No.
- ②Category:H-HSG
- ③Appearance type:I-HSC+hardware
- ④Row No.-Pin No.:XX-04P~26P
- ⑤Plug the Pin &Special No.:A1-Doudle Deficiency
- ⑥Material:PT-PBT 94V-0
- ⑦Planting Category:SN-Bright Tin plating



26	31.75	35.53
24	29.21	32.99
22	26.67	30.45
20	24.13	27.91
18	21.59	25.37
16	19.05	22.83
14	16.51	20.29
12	13.97	17.75
10	11.43	15.21
8	8.89	12.67
6	6.35	10.13
4	3.81	7.59
CCT SIZE	DIMENSION A	DIMENSION A

X9127HI-XXA1-PTSN	PBT UL94V-0	Phosphor Bronze	TIN
PART NO	Material	Material(Pin)	Finish(Pin)

广东星坤科技股份有限公司

生效日期

文件工程章

REVISIONS

UNSPECIFIED TOLERANCES

www.helloxkb.com www.helloxkb.cn www.xk-dg.cn

ANGLAR	±5°
L ≤ 4	±0.2
4 < L ≤ 16	±0.3
16 < L ≤ 63	±0.4
L > 63	±0.5



DSND	SCALE: N/A	MODEL TYPE: 1.27mm Crimp Style Connectors
DWN	VIEW:	PART NO.: X9127HI-XXA1-PTXX
CHKD	UNIT: mm/in	DWG NO.: X-X9127HI-XXA1-PTXX
APPD	SIZE: A4	WEIGHT
		SHEET
		REVISION
		1/1
		A0

XKB INDUSTRIAL PRECISION CO., LIMITED