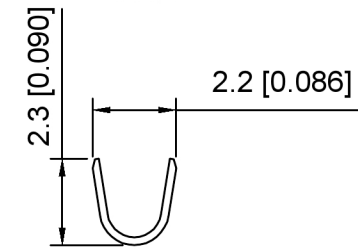
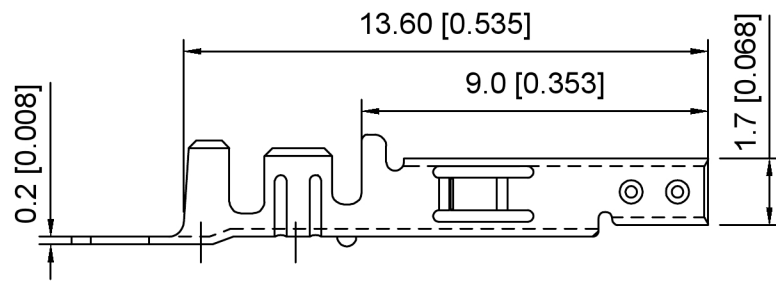


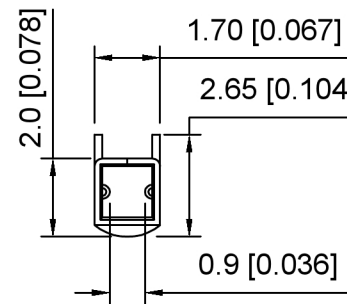
A-A



B-B



A-A B-B



Specifications:

规格:

Voltage rating:600V AC/DC

额定电压: 600V AC/DC

Current rating:9A AC/DC

额定电流: 9A AC/DC

Withstanding voltage:1500V AC/minute

耐受电压: 1500V AC/分钟

Temperature range:-25°C-+85°C

温度范围: -25°C-+85°C

Insulation resistance:1000MΩ min

绝缘电阻: 1000MΩ Min

Contact resistance:10mΩ Max

接触电阻: 10mΩ Max

X9357 T F - B SN - M  
 ① ② ③ ④ ⑤ ⑥

1.Series No

2.Category:T-Terminal

3.Category:F-Female Terminal

4.Material:B-Brass

5.Plating:SN-Tin Plated

6.Special No:M-Lower the foot

X9357TF-BSN-M	Brass	AWG#20	X9357H
PART NO	Material	Wire Range	Suitable XKB Housing

广东星坤科技股份有限公司

Δ建	日期
Δ改	日期
ΔX	

文件工程章

MARK	DESCRIPTION	DATE	REVISED	APPROVED	ANGLAR	±5°
					L ≤ 4	±0.2
					4 < L ≤ 16	±0.3
					16 < L ≤ 63	±0.4
					L > 63	±0.5



DSND	SCALE: N/A	MODEL TYPE: 4.2mm Crimp Style Connector
DWN	VIEW:	PART NO.: X9357TF-BSN-M
CHKD	UNIT: mm/in	DWG NO.: X-X9357TF-BSN-M
APPD	SIZE: A4	
KXB INDUSTRIAL PRECISION CO., LIMITED		WEIGHT SHEET REVISION 1/1 A0