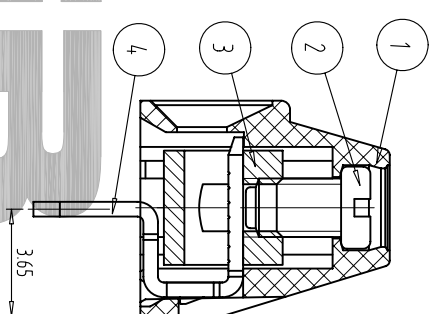
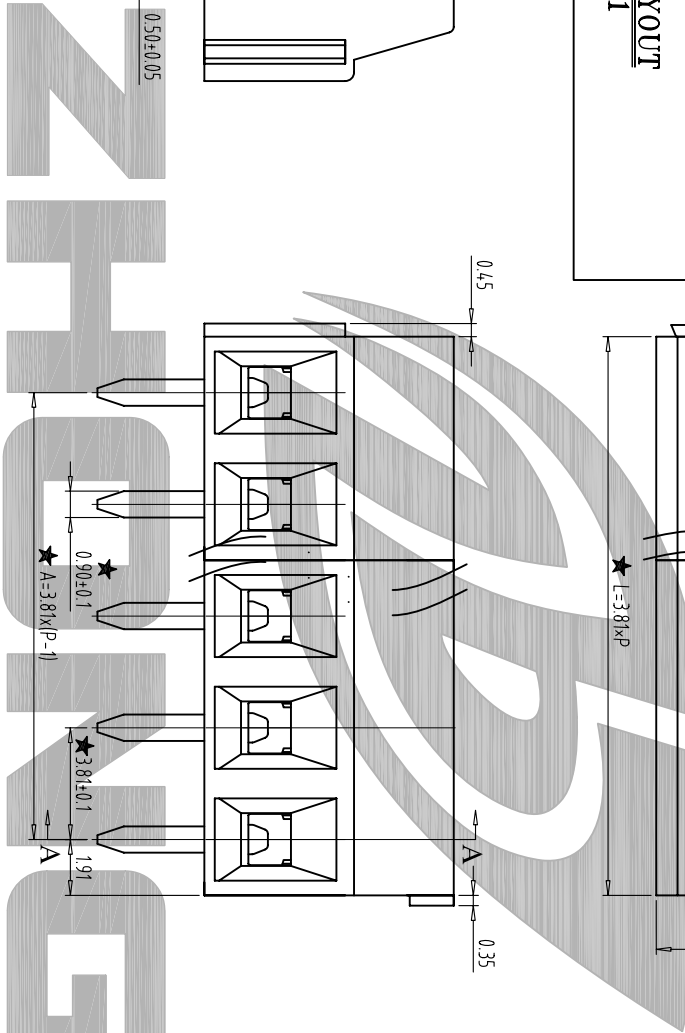
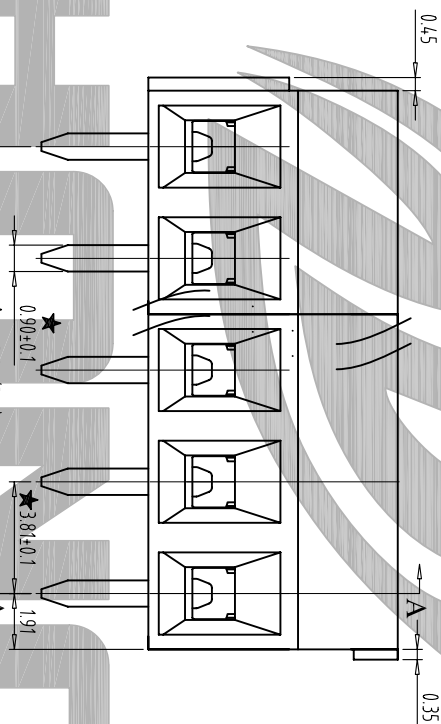
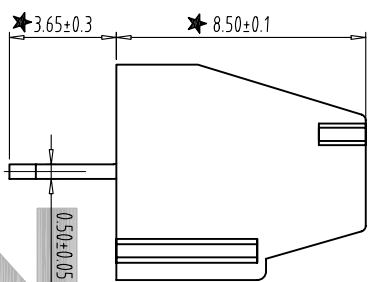
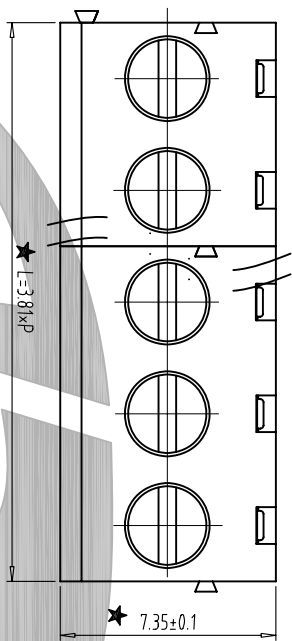


**PCB LAYOUT**  
S=3:1



**SECTION: A-A**

**NOTES:**

1. Rating: 300V 10A;
2. Insulation Withstands Voltage: AC2000V/MIN
3. Insulation Resistance: 500M $\Omega$  or more at DC500V
4. Using Temperature Range: -40?--+105?
5. Screw Torque Value: 0.2N.m
6. Suitable Electric Wire: 26-16AWG
7. "★" is the important dimension.

REV	CONTENT	CHK	DATE
V0.0	CONTENT	SK	2015-05-11

Total Pitch Tolerances		Nominal dimension range																													
in mm		in mm																													
over	0	over	30	over	53	over	70	over	90	over	115	over	150	over	200	over	250	over	320	over	0	over	10	over	0	over	100	over	150		
to	30	to	53	to	70	to	90	to	115	to	150	to	200	to	250	to	320	to	400	to	0	to	10	to	0	to	100	to	150		
±0.18? 25		±0.30±0.35±0.40? 4.5		±0.60±0.70? 8.5		±0.20±0.25±0.30±0.35±0.44±0.55±0.70±0.80±0.90		0.2		0.3		0.3		0.2		0.3		0.3		0.5											

ITEM	NAME OF PART	NO. OF PART	Q'TY	MATERIAL	NOTE
4	SOLDER PIN	ZB002B0001	P	BRASS	Tin Plated
3	BLOCK	ZBXC0010	P	BRASS	Ni Plated
2	SCREW	ZBST00	P	STEEL	M2/Ni Plated
1	HOUSING	ZB012A0XXXX	/	PA66	/

DWG	SK	DATE	SCALE	SHEET/OF
		2015-05-11	A4, 4:1	3/81



NINGBO ZHONGBO PHOTOVOLTAIC TECHNOLOGY CO., LTD