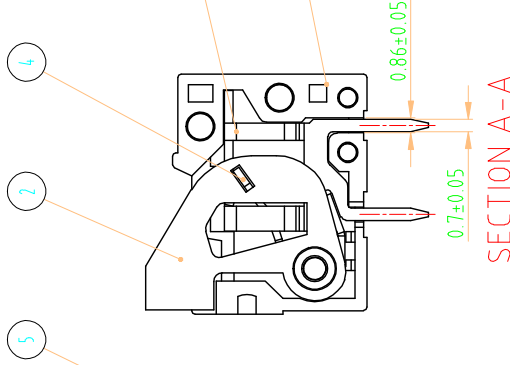
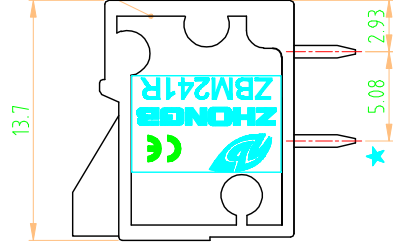
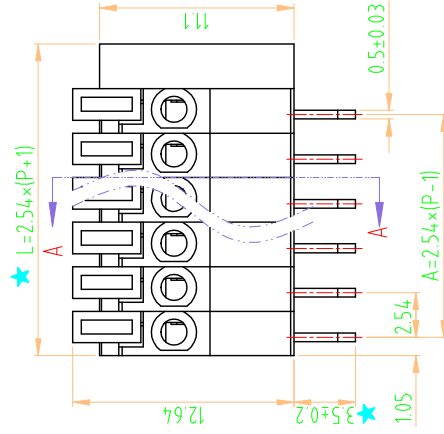
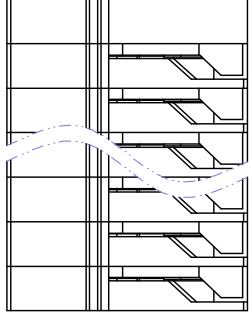


● FOR PIN P.C.B LAYOUT

NOTES:

1. Rating: 150V 2A,
2. Insulation Withstands Voltage: AC1300V/MIN;
3. Insulation Resistance: 500M Ω or more at DC500V
4. Using Temperature Range: -40°C/+105°C
5. Suitable Electric Wire: 20-26 AWG
6. "★" The important dimension.



DIM	P	Nominal dimension range																											
		2		3		4		5		6		7		8		9		10		11		12		13		14		15	
over	to	over	to	over	to	over	to	over	to	over	to	over	to	over	to	over	to	over	to	over	to	over	to	over	to	over	to	over	to
L	7.62	10.16	12.7	15.24	17.78	20.32	22.86	25.4	27.94	30.48	33.02	35.56	38.1	40.64															
A	2.54	5.08	7.62	10.16	12.7	15.24	17.78	20.32	22.86	25.4	27.94	30.48	33.02	35.56															
DIM	16	17	18	19	20	21	22	23	24	25	26	27	28	29	30														
L	43.18	45.72	48.26	50.8	53.34	55.88	58.42	60.96	63.5	66.04	68.58	71.12	73.66	76.2	78.74														
A	38.1	40.64	43.18	45.72	48.26	50.8	53.34	55.88	58.42	60.96	63.5	66.04	68.58	71.12	73.66														

A	Total Pitch Tolerances		Nominal dimension range																										
	over	to	2		3		4		5		6		7		8		9		10		11		12		13		14		15
over	to	over	to	over	to	over	to	over	to	over	to	over	to	over	to	over	to	over	to	over	to	over	to	over	to	over	to	over	to
0	30	53	70	90	115	150	250	350	0	30	53	70	90	115	150	200	250	0	over	0	100	over							
to	to	to	to	to	to	to	to	to	to	to	to	to	to	to	to	to	to	to	to	to	to	to	to	to	to	to	to	to	to
30	53	70	90	115	150	250	350	500	30	53	70	90	115	150	200	250	320	10	all	100	150	over							
±0.18	±0.2	±0.25	±0.3	±0.35	±0.4	±0.6	±0.7	±0.85	±0.2	±0.25	±0.3	±0.35	±0.4	±0.45	±0.55	±0.7	±0.8	±0.9	±0.2	0.3	0.3	0.2	0.3	0.3	0.5	0.5	0.5	0.5	0.5

ITEM	NAME OF PART	NO. OF PART	Q'TY	MATERIAL	NOTE
5	END COVER	TL020A8XXX	1	PA66(V0)	
4	SPRING COIL	TL020B0005	P	STAINLESS	
3	SOLDER PIN	TL020B0006	P	BRASS	Sn Plated
2	LEVER	TL020A7XXX	P	POM(V2)	
1	HOUSING	TL020A6XXX	P	PA66(V0)	

DWG.	CXL	DATE	14.12.03	SCALE	1:1	SHEET/OF	1/1
CHK		DATE				141R	
APP.		DATE				ZBM241R-XP-X	

		ZHONGBO	
NINGBO ZHONGBO PHOTOVOLTAIC TECHNOLOGY CO., LTD.			
DWGNO. ZB-02-		1	