



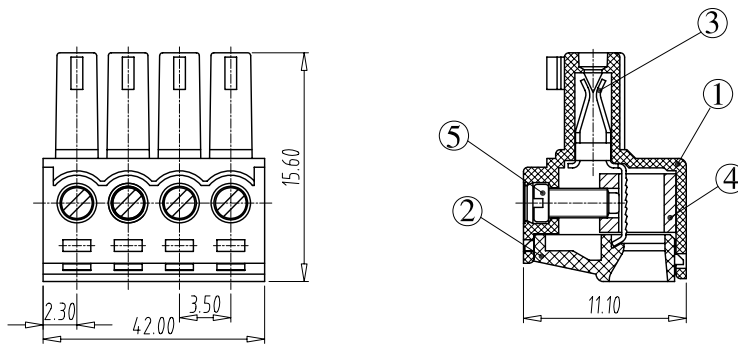
NINGBO ZHONGBO PHOTOVOLTAIC TECHNOLOGY CO., LTD

## P. C. B. ZBK-100 SERIES ZBK100R-04P-GS (15EDG-04P-3.5)

### Specifications

1. Rated Voltage Current: 300V 10A
2. Insulation Withstands Voltage: AC2500V/MIN
3. Test Voltage: 2500V
4. Screw Size: M2
5. The use of temperature: -40°C/+115°C
6. Torque: 0.25 N.m/Max
7. Apply to wire diameter: 28-16AWG 0.5-1.5mm<sup>2</sup>
8. Pollution Degree: 3
9. Storage condition: room temperature, the humidity below 85%, shelf life: 1 year
10. Country of origin: China ningbo cixi Chinese
11. RoHS compliance

### Material and size



#:Back to the material use 30% or less

N.O	NAME	MATERIAL	Material and size
1	HOUSING	PA66(UL94V-0)	GREEN
2	COVER	PA66(UL94V-0)	GREEN
3	SPRINGCOIL	BRONZE	EP-Cu/Cu1-2 Ni2-4um
4	BLOCK	BRASS	M2.0EP-Fe/Cu1-2 Zn5-8um
5	SCREW	STEEL	M2.0EP-Fe/Cu1-2 Zn5-8um

### How to choice

