



**AiP74HC/HCT4052**  
**Dual 4-channel Analog**  
**Multiplexer/Demultiplexer**  
**Product Specification**

**Specification Revision History:**

<b>Version</b>	<b>Date</b>	<b>Description</b>
2019-12-A1	2019-12	New
2023-04-B1	2023-04	Update the template



# Contents

<b>1、 General Description.....</b>	<b>3</b>
<b>2、 Block Diagram And Pin Description .....</b>	<b>6</b>
2.1、 Block Diagram .....	6
2.2、 Pin Configurations.....	7
2.3、 Pin Description .....	8
2.4、 Function Table.....	8
<b>3、 Electrical Parameter .....</b>	<b>9</b>
3.1、 Absolute Maximum Ratings.....	9
3.2、 Recommended Operating Conditions .....	9
3.3、 Electrical Characteristics .....	10
3.3.1、 DC Characteristics 1 .....	10
3.3.2、 DC Characteristics 2 .....	12
3.3.3、 AC Characteristics 1 .....	14
3.3.4、 AC Characteristics 2 .....	16
3.3.5、 AC Characteristics 3 .....	17
<b>4、 Testing Circuit .....</b>	<b>18</b>
4.1、 DC Testing Circuit 1 .....	18
4.2、 DC Testing Circuit 2 .....	19
4.3、 AC Testing Waveforms.....	19
4.4、 AC Testing Circuit 1 .....	20
4.5、 Test Data .....	21
4.6、 AC Testing Circuit 2 .....	21
<b>5、 Package Information .....</b>	<b>25</b>
5.1、 DIP16 .....	25
5.2、 SOP16 .....	26
5.3、 SSOP16.....	27
5.4、 TSSOP16.....	28
<b>6、 Statements And Notes .....</b>	<b>29</b>
6.1、 The name and content of Hazardous substances or Elements in the product.....	29
6.2、 Notes .....	29



## 1、 General Description

The AiP74HC/HCT4052 is a dual single-pole quad-throw analog switch ( $2 \times SP4T$ ) suitable for use in analog or digital 4:1 multiplexer/demultiplexer applications. Each switch features four independent inputs/outputs (nY0, nY1, nY2 and nY3) and a common input/output (nZ). A digital enable input ( $\bar{E}$ ) and two digital select inputs (S0 and S1) are common to both switches. When  $\bar{E}$  is HIGH, the switches are turned off. Inputs include clamp diodes. This enables the use of current limiting resistors to interface inputs to voltages in excess of  $V_{CC}$ .

### Features:

- Wide analog input voltage range from -4.5V to +4.5V
- Low ON resistance:
  - 80  $\Omega$  (typical) at  $V_{CC}-V_{EE}=4.5V$
  - 70  $\Omega$  (typical) at  $V_{CC}-V_{EE}=6.0V$
  - 60  $\Omega$  (typical) at  $V_{CC}-V_{EE}=9.0V$
- Typical “break before make” built-in
- Input levels:
  - For 74HC4052: CMOS level
  - For 74HCT4052: TTL level
- Specified from -40°C to +125°C
- Packaging information: DIP16/SOP16/SSOP16/TSSOP16

### Applications:

- Analog multiplexing and demultiplexing
- Digital multiplexing and demultiplexing
- Signal gating

**Ordering Information:****Tube packing specifications:**

Part number	Packaging form	Marking code	Tube quantity	Boxed tube quantity	Boxed quantity	Notes
AiP74HC4052DA16.TB	DIP16	74HC4052	25 PCS/tube	40 tube/box	1000 PCS/box	Dimensions of plastic enclosure: 19.0mm×6.4mm Pin spacing: 2.54mm
AiP74HCT4052DA16.TB	DIP16	74HCT4052	25 PCS/tube	40 tube/box	1000 PCS/box	Dimensions of plastic enclosure: 19.0mm×6.4mm Pin spacing: 2.54mm
AiP74HC4052SA16.TB	SOP16	74HC4052	50 PCS/tube	200 tube/box	10000 PCS/box	Dimensions of plastic enclosure: 10.0mm×3.9mm Pin spacing: 1.27mm
AiP74HCT4052SA16.TB	SOP16	74HCT4052	50 PCS/tube	200 tube/box	10000 PCS/box	Dimensions of plastic enclosure: 10.0mm×3.9mm Pin spacing: 1.27mm
AiP74HC4052VA16.TB	SSOP16	74HC4052	80 PCS/tube	100 tube/box	8000 PCS/box	Dimensions of plastic enclosure: 6.2mm×5.3mm Pin spacing: 0.65mm
AiP74HCT4052VA16.TB	SSOP16	74HCT4052	80 PCS/tube	100 tube/box	8000 PCS/box	Dimensions of plastic enclosure: 6.2mm×5.3mm Pin spacing: 0.65mm
AiP74HC4052TA16.TB	TSSOP16	74HC4052	96 PCS/tube	200 tube/box	19200 PCS/box	Dimensions of plastic enclosure: 5.0mm×4.4mm Pin spacing: 0.65mm
AiP74HCT4052TA16.TB	TSSOP16	74HCT4052	96 PCS/tube	200 tube/box	19200 PCS/box	Dimensions of plastic enclosure: 5.0mm×4.4mm Pin spacing: 0.65mm

**Reel packing specifications:**

Part number	Packaging form	Marking code	Reel quantity	Boxed reel quantity	Notes
AiP74HC4052SA16.TR	SOP16	74HC4052	4000 PCS/reel	8000 PCS/box	Dimensions of plastic enclosure: 10.0mm×3.9mm Pin spacing:1.27mm
AiP74HCT4052SA16.TR	SOP16	74HCT4052	4000 PCS/reel	8000 PCS/box	Dimensions of plastic enclosure: 10.0mm×3.9mm Pin spacing:1.27mm
AiP74HC4052VA16.TR	SSOP16	74HC4052	2500 PCS/reel	5000 PCS/box	Dimensions of plastic enclosure: 6.2mm×5.3mm Pin spacing:0.65mm
AiP74HCT4052VA16.TR	SSOP16	74HCT4052	2500 PCS/reel	5000 PCS/box	Dimensions of plastic enclosure: 6.2mm×5.3mm Pin spacing:0.65mm
AiP74HC4052TA16.TR	TSSOP16	74HC4052	5000 PCS/reel	10000 PCS/box	Dimensions of plastic enclosure: 5.0mm×4.4mm Pin spacing:0.65mm
AiP74HCT4052TA16.TR	TSSOP16	74HCT4052	5000 PCS/reel	10000 PCS/box	Dimensions of plastic enclosure: 5.0mm×4.4mm Pin spacing:0.65mm

Note: If the physical information is inconsistent with the ordering information, please refer to the actual product.



## 2、Block Diagram And Pin Description

### 2.1、Block Diagram

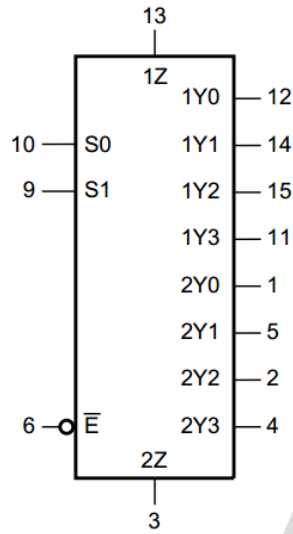


Figure 1. Logic symbol

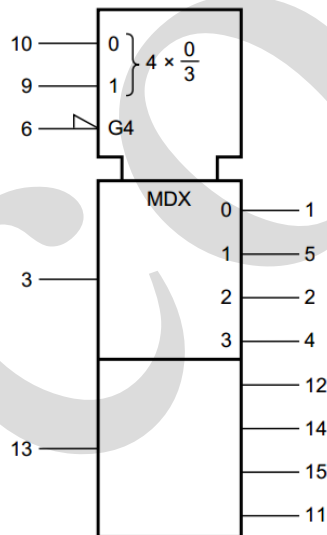


Figure 2. IEC logic symbol

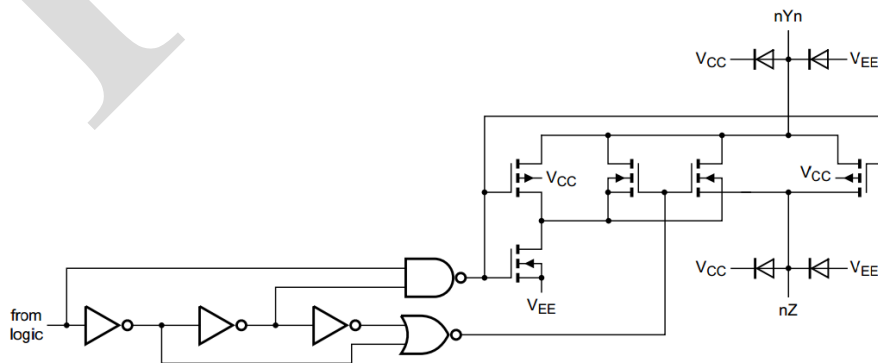


Figure 3. Schematic diagram (one switch)

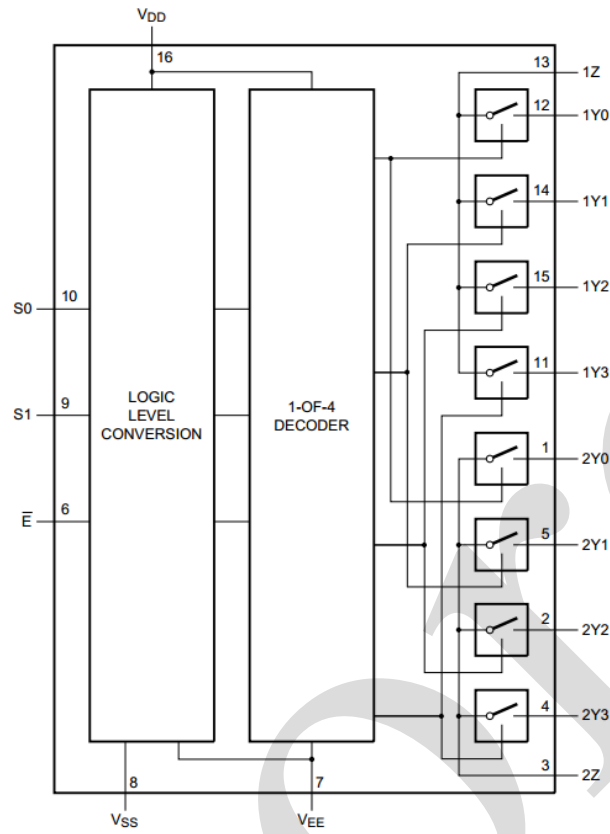
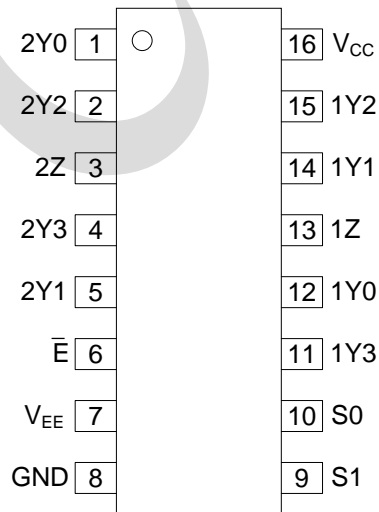


Figure 4. Functional diagram

## 2.2. Pin Configurations





## 2.3、Pin Description

Pin No.	Pin Name	Description
1	2Y0	independent input or output
2	2Y2	independent input or output
3	2Z	common input or output
4	2Y3	independent input or output
5	2Y1	independent input or output
6	$\bar{E}$	enable input (active LOW)
7	V <sub>EE</sub>	negative supply voltage
8	GND	ground supply voltage
9	S1	select logic input
10	S0	select logic input
11	1Y3	independent input or output
12	1Y0	independent input or output
13	1Z	common input or output
14	1Y1	independent input or output
15	1Y2	independent input or output
16	V <sub>CC</sub>	positive supply voltage

## 2.4、Function Table

Input			Channel ON
$\bar{E}$	S1	S0	
L	L	L	nY0 and nZ
L	L	H	nY1 and nZ
L	H	L	nY2 and nZ
L	H	H	nY3 and nZ
H	X	X	none

Note: H=HIGH voltage level; L=LOW voltage level; X=don't care.





## 3、Electrical Parameter

### 3.1、Absolute Maximum Ratings

(Voltages are referenced to  $V_{EE} = \text{GND}$  (ground=0V), unless otherwise specified.)

Parameter	Symbol	Conditions	Min.	Max.	Unit
supply voltage	$V_{CC}$	- <sup>[1]</sup>	-0.5	+11	V
input clamping current	$I_{IK}$	$V_I < -0.5 \text{ V}$ or $V_I > V_{CC} + 0.5 \text{ V}$	-	$\pm 20$	mA
switch clamping current	$I_{SK}$	$V_{SW} < -0.5 \text{ V}$ or $V_{SW} > V_{CC} + 0.5 \text{ V}$	-	$\pm 20$	mA
switch current	$I_{SW}$	$-0.5 \text{ V} < V_{SW} < V_{CC} + 0.5 \text{ V}$	-	$\pm 25$	mA
supply current	$I_{EE}$	-	-	$\pm 20$	mA
supply current	$I_{CC}$	-	-	50	mA
ground current	$I_{GND}$	-	-	-50	mA
storage temperature	$T_{stg}$	-	-65	+150	°C
total power dissipation	$P_{tot}$	-	-	500	mW
power dissipation	P	per switch	-	100	mW
Soldering temperature	$T_L$	10s	DIP	245	°C
			SOP/SSOP/TSSOP	260	°C

Note:

[1] To avoid drawing  $V_{CC}$  current out of terminal nZ, when switch current flows into terminals nYn, the voltage drop across the bidirectional switch must not exceed 0.4 V. If the switch current flows into terminal nZ, no  $V_{CC}$  current will flow out of terminals nYn, and in this case there is no limit for the voltage drop across the switch, but the voltages at nYn and nZ may not exceed  $V_{CC}$  or  $V_{EE}$ .

### 3.2、Recommended Operating Conditions

Parameter	Symbol	Conditions	Min.	Typ.	Max.	Unit
<b>AiP74HC4052</b>						
supply voltage	$V_{CC}$	$V_{CC} - \text{GND}$	3.0	5.0	9.0	V
		$V_{CC} - V_{EE}$	3.0	5.0	9.0	V
input voltage	$V_I$	-	0	-	$V_{CC}$	V
switch voltage	$V_{SW}$	-	$V_{EE}$	-	$V_{CC}$	V
ambient temperature	$T_{amb}$	in free air	-40	-	+125	°C
input transition rise and fall rate	$\Delta t/\Delta V$	$V_{CC} = 4.5 \text{ V}$	-	1.67	139	ns/V
		$V_{CC} = 6.0 \text{ V}$	-	-	83	ns/V
		$V_{CC} = 9.0 \text{ V}$	-	-	31	ns/V
<b>AiP74HCT4052</b>						
supply voltage	$V_{CC}$	$V_{CC} - \text{GND}$	4.5	5.0	5.5	V
		$V_{CC} - V_{EE}$	3.0	5.0	9.0	V
input voltage	$V_I$	-	0	-	$V_{CC}$	V
switch voltage	$V_{SW}$	-	$V_{EE}$	-	$V_{CC}$	V
ambient temperature	$T_{amb}$	in free air	-40	-	+125	°C
input transition rise and fall rate	$\Delta t/\Delta V$	$V_{CC} = 4.5 \text{ V}$	-	1.67	139	ns/V
		$V_{CC} = 6.0 \text{ V}$	-	-	-	ns/V



	$V_{CC} = 9.0\text{ V}$	-	-	-	ns/V
--	-------------------------	---	---	---	------

### 3.3. Electrical Characteristics

#### 3.3.1. DC Characteristics 1

( $T_{amb} = -40^{\circ}\text{C} \sim 85^{\circ}\text{C}$ , voltages are reference to GND (ground=0V), unless otherwise specified, unless otherwise specified.)

Parameter	Symbol	Conditions	Min.	Typ. <sup>[1]</sup>	Max.	Unit	
ON resistance (peak)	$R_{ON(peak)}$	$V_{is} = V_{CC} \text{ to } V_{EE};$ $I_{SW} = 1000\text{ uA}$	$V_{CC} = 4.5\text{ V};$ $V_{EE} = 0\text{ V}$	-	100	225	$\Omega$
			$V_{CC} = 6.0\text{ V};$ $V_{EE} = 0\text{ V}$	-	90	200	$\Omega$
			$V_{CC} = 4.5\text{ V};$ $V_{EE} = -4.5\text{ V}$	-	70	165	$\Omega$
ON resistance (rail)	$R_{ON(rail)}$	$V_{is} = V_{EE};$ $I_{SW} = 1000\text{ uA}$	$V_{CC} = 4.5\text{ V};$ $V_{EE} = 0\text{ V}$	-	80	175	$\Omega$
			$V_{CC} = 6.0\text{ V};$ $V_{EE} = 0\text{ V}$	-	70	150	$\Omega$
			$V_{CC} = 4.5\text{ V};$ $V_{EE} = -4.5\text{ V}$	-	60	130	$\Omega$
		$V_{is} = V_{CC};$ $I_{SW} = 1000\text{ uA}$	$V_{CC} = 4.5\text{ V};$ $V_{EE} = 0\text{ V}$	-	90	200	$\Omega$
			$V_{CC} = 6.0\text{ V};$ $V_{EE} = 0\text{ V}$	-	80	175	$\Omega$
			$V_{CC} = 4.5\text{ V};$ $V_{EE} = -4.5\text{ V}$	-	65	150	$\Omega$
ON resistance mismatch between channels	$\Delta R_{ON}$	$V_{is} = V_{CC} \text{ to } V_{EE}$	$V_{CC} = 4.5\text{ V};$ $V_{EE} = 0\text{ V}$	-	9	-	$\Omega$
			$V_{CC} = 6.0\text{ V};$ $V_{EE} = 0\text{ V}$	-	8	-	$\Omega$
			$V_{CC} = 4.5\text{ V};$ $V_{EE} = -4.5\text{ V}$	-	6	-	$\Omega$
<b>AiP74HC4052</b>							
HIGH-level input voltage	$V_{IH}$	$V_{CC} = 4.5\text{ V}$	3.15	2.4	-	V	
		$V_{CC} = 6.0\text{ V}$	4.2	3.2	-	V	
		$V_{CC} = 9.0\text{ V}$	6.3	4.7	-	V	
LOW-level input voltage	$V_{IL}$	$V_{CC} = 4.5\text{ V}$	-	2.1	1.35	V	
		$V_{CC} = 6.0\text{ V}$	-	2.8	1.8	V	
		$V_{CC} = 9.0\text{ V}$	-	4.3	2.7	V	
input leakage current	$I_I$	$V_{EE} = 0\text{ V};$ $V_I = V_{CC} \text{ or } \text{GND}$	$V_{CC} = 6.0\text{ V}$	-	-	$\pm 1.0$	$\mu\text{A}$
			$V_{CC} = 9.0\text{ V}$	-	-	$\pm 2.0$	$\mu\text{A}$



OFF-state leakage current	$I_{S(OFF)}$	$V_{CC}=9.0\text{ V};$ $V_{EE}=0\text{ V};$ $V_I=V_{IH}\text{ or }V_{IL};$ $ V_{SW} =V_{CC}-V_{EE};$ see Figure 7	per channel	-	-	$\pm 1.0$	$\mu\text{A}$
			all channels	-	-	$\pm 2.0$	$\mu\text{A}$
ON-state leakage current	$I_{S(ON)}$	$V_I=V_{IH}\text{ or }V_{IL}; V_{SW} =V_{CC}-V_{EE};$ $V_{CC}=9.0\text{ V};V_{EE}=0\text{ V};$ see Figure 8	-	-	$\pm 2.0$	$\mu\text{A}$	
supply current	$I_{CC}$	$V_{EE}=0\text{ V};$ $V_I=V_{CC}\text{ or GND};$ $V_{is}=V_{EE}\text{ or }V_{CC};$ $V_{os}=V_{CC}\text{ or }V_{EE}$	$V_{CC}=6.0\text{ V}$	-	-	80.0	$\mu\text{A}$
			$V_{CC}=9.0\text{ V}$	-	-	160.0	$\mu\text{A}$
input capacitance	$C_I$	-	-	3.5	-	pF	
switch capacitance	$C_{SW}$	independent pins nYn	-	5	-	pF	
		common pins nZ	-	12	-	pF	
<b>AiP74HCT4052</b>							
HIGH-level input voltage	$V_{IH}$	$V_{CC}=4.5\text{ V to }5.5\text{ V}$	2.0	1.6	-	V	
LOW-level input voltage	$V_{IL}$	$V_{CC}=4.5\text{ V to }5.5\text{ V}$	-	1.2	0.8	V	
input leakage current	$I_I$	$V_I=V_{CC}\text{ or GND};$ $V_{CC}=5.5\text{ V};V_{EE}=0\text{ V}$	-	-	$\pm 1.0$	$\mu\text{A}$	
OFF-state leakage current	$I_{S(OFF)}$	$V_{CC}=9.0\text{ V};$ $V_{EE}=0\text{ V};$ $V_I=V_{IH}\text{ or }V_{IL};$ $ V_{SW} =V_{CC}-V_{EE};$ see Figure 7	per channel	-	-	$\pm 1.0$	$\mu\text{A}$
			all channels	-	-	$\pm 2.0$	$\mu\text{A}$
ON-state leakage current	$I_{S(ON)}$	$V_{CC}=9.0\text{ V};V_{EE}=0\text{ V};$ $V_I=V_{IH}\text{ or }V_{IL}; V_{SW} =V_{CC}-V_{EE};$ see Figure 8	-	-	$\pm 2.0$	$\mu\text{A}$	
supply current	$I_{CC}$	$V_I=V_{CC}\text{ or GND};$ $V_{is}=V_{EE}\text{ or }V_{CC};$ $V_{os}=V_{CC}\text{ or }V_{EE}$	$V_{CC}=5.5\text{ V};$ $V_{EE}=0\text{ V}$	-	-	80.0	$\mu\text{A}$
			$V_{CC}=4.5\text{ V};$ $V_{EE}=-4.5\text{ V}$	-	-	160.0	$\mu\text{A}$
additional supply current	$\Delta I_{CC}$	per input; $V_I=V_{CC}-2.1\text{ V};$ other inputs at $V_{CC}\text{ or GND};$ $V_{CC}=4.5\text{ V to }5.5\text{ V};V_{EE}=0\text{ V}$	-	45	202.5	$\mu\text{A}$	
input capacitance	$C_I$	-	-	3.5	-	pF	
switch capacitance	$C_{SW}$	independent pins nYn	-	5	-	pF	
		common pins nZ	-	12	-	pF	



Note:

- [1] All typical values are measured at  $T_{amb} = 25^{\circ}\text{C}$ .
- [2]  $V_I = V_{IH}$  or  $V_{IL}$ ; for test circuit see Figure 5.
- [3]  $V_{is}$  is the input voltage at a nYn or nZ terminal, whichever is assigned as an input.
- [4]  $V_{os}$  is the output voltage at a nYn or nZ terminal, whichever is assigned as an output.

### 3.3.2、DC Characteristics 2

( $T_{amb} = -40^{\circ}\text{C} \sim 125^{\circ}\text{C}$ , voltages are reference to GND (ground=0V), unless otherwise specified, unless otherwise specified.)

Parameter	Symbol	Conditions	Min.	Typ. <sup>[1]</sup>	Max.	Unit	
ON resistance (peak)	$R_{ON(peak)}$	$V_{is} = V_{CC}$ to $V_{EE}$ ; $I_{SW} = 1000 \mu\text{A}$	$V_{CC} = 4.5 \text{ V};$ $V_{EE} = 0 \text{ V}$	-	-	270	$\Omega$
			$V_{CC} = 6.0 \text{ V};$ $V_{EE} = 0 \text{ V}$	-	-	240	$\Omega$
			$V_{CC} = 4.5 \text{ V};$ $V_{EE} = -4.5 \text{ V}$	-	-	195	$\Omega$
ON resistance (rail)	$R_{ON(rail)}$	$V_{is} = V_{EE}$ ; $I_{SW} = 1000 \mu\text{A}$	$V_{CC} = 4.5 \text{ V};$ $V_{EE} = 0 \text{ V}$	-	-	210	$\Omega$
			$V_{CC} = 6.0 \text{ V};$ $V_{EE} = 0 \text{ V}$	-	-	180	$\Omega$
			$V_{CC} = 4.5 \text{ V};$ $V_{EE} = -4.5 \text{ V}$	-	-	160	$\Omega$
		$V_{is} = V_{CC}$ ; $I_{SW} = 1000 \mu\text{A}$	$V_{CC} = 4.5 \text{ V};$ $V_{EE} = 0 \text{ V}$	-	-	240	$\Omega$
			$V_{CC} = 6.0 \text{ V};$ $V_{EE} = 0 \text{ V}$	-	-	210	$\Omega$
			$V_{CC} = 4.5 \text{ V};$ $V_{EE} = -4.5 \text{ V}$	-	-	180	$\Omega$
<b>AiP74HC4052</b>							
HIGH-level input voltage	$V_{IH}$	$V_{CC} = 4.5 \text{ V}$	3.15	-	-	V	
		$V_{CC} = 6.0 \text{ V}$	4.2	-	-	V	
		$V_{CC} = 9.0 \text{ V}$	6.3	-	-	V	
LOW-level input voltage	$V_{IL}$	$V_{CC} = 4.5 \text{ V}$	-	-	1.35	V	
		$V_{CC} = 6.0 \text{ V}$	-	-	1.8	V	
		$V_{CC} = 9.0 \text{ V}$	-	-	2.7	V	
input leakage current	$I_I$	$V_{EE} = 0 \text{ V};$ $V_I = V_{CC}$ or GND	$V_{CC} = 6.0 \text{ V}$	-	-	$\pm 1.0$	$\mu\text{A}$
			$V_{CC} = 9.0 \text{ V}$	-	-	$\pm 2.0$	$\mu\text{A}$
OFF-state leakage current	$I_{S(OFF)}$	$V_{CC} = 9.0 \text{ V};$ $V_{EE} = 0 \text{ V};$ $V_I = V_{IH}$ or $V_{IL}$ ; $ V_{SW}  = V_{CC} - V_{EE}$ ;	per channel	-	-	$\pm 1.0$	$\mu\text{A}$
			all channels	-	-	$\pm 2.0$	$\mu\text{A}$



		see Figure 7					
ON-state leakage current	$I_{S(ON)}$	$V_I = V_{IH} \text{ or } V_{IL};  V_{SW}  = V_{CC} - V_{EE};$ $V_{CC} = 9.0 \text{ V}; V_{EE} = 0 \text{ V};$ see Figure 8	-	-	$\pm 2.0$	$\mu\text{A}$	
supply current	$I_{CC}$	$V_{EE} = 0 \text{ V};$ $V_I = V_{CC} \text{ or } \text{GND};$ $V_{is} = V_{EE} \text{ or } V_{CC};$ $V_{os} = V_{CC} \text{ or } V_{EE}$	$V_{CC} = 6.0 \text{ V}$	-	-	160.0	$\mu\text{A}$
			$V_{CC} = 9.0 \text{ V}$	-	-	320.0	$\mu\text{A}$
<b>AiP74HCT4052</b>							
HIGH-level input voltage	$V_{IH}$	$V_{CC} = 4.5 \text{ V to } 5.5 \text{ V}$	2.0	-	-	V	
LOW-level input voltage	$V_{IL}$	$V_{CC} = 4.5 \text{ V to } 5.5 \text{ V}$	-	-	0.8	V	
input leakage current	$I_I$	$V_I = V_{CC} \text{ or } \text{GND};$ $V_{CC} = 5.5 \text{ V}; V_{EE} = 0 \text{ V}$	-	-	$\pm 1.0$	$\mu\text{A}$	
OFF-state leakage current	$I_{S(OFF)}$	$V_{CC} = 9.0 \text{ V};$ $V_{EE} = 0 \text{ V};$ $V_I = V_{IH} \text{ or } V_{IL};$ $ V_{SW}  = V_{CC} - V_{EE};$ see Figure 7	per channel	-	-	$\pm 1.0$	$\mu\text{A}$
			all channels	-	-	$\pm 2.0$	$\mu\text{A}$
ON-state leakage current	$I_{S(ON)}$	$V_{CC} = 9.0 \text{ V}; V_{EE} = 0 \text{ V};$ $V_I = V_{IH} \text{ or } V_{IL};  V_{SW}  = V_{CC} - V_{EE};$ see Figure 8	-	-	$\pm 2.0$	$\mu\text{A}$	
supply current	$I_{CC}$	$V_I = V_{CC} \text{ or } \text{GND};$ $V_{is} = V_{EE} \text{ or } V_{CC};$ $V_{os} = V_{CC} \text{ or } V_{EE}$	$V_{CC} = 5.5 \text{ V};$ $V_{EE} = 0 \text{ V}$	-	-	160.0	$\mu\text{A}$
			$V_{CC} = 4.5 \text{ V};$ $V_{EE} = -4.5 \text{ V}$	-	-	320.0	$\mu\text{A}$
additional supply current	$\Delta I_{CC}$	per input; $V_I = V_{CC} - 2.1 \text{ V};$ other inputs at $V_{CC} \text{ or } \text{GND};$ $V_{CC} = 4.5 \text{ V to } 5.5 \text{ V}; V_{EE} = 0 \text{ V}$	-	-	220.5	$\mu\text{A}$	

Note:

[1] All typical values are measured at  $T_{amb} = 25^\circ\text{C}$ .

[2]  $V_I = V_{IH}$  or  $V_{IL}$ ; for test circuit see Figure 5.

[3]  $V_{is}$  is the input voltage at a nYn or nZ terminal, whichever is assigned as an input.

[4]  $V_{os}$  is the output voltage at a nYn or nZ terminal, whichever is assigned as an output.



### 3.3.3、 AC Characteristics 1

( $T_{amb} = -40^{\circ}\text{C} \sim +85^{\circ}\text{C}$ ;  $GND = 0\text{ V}$ ;  $t_r = t_f = 6\text{ ns}$ ;  $C_L = 50\text{ pF}$ ; unless otherwise specified.)

Parameter	Symbol	Conditions	Min.	Typ. <sup>[1]</sup>	Max.	Unit	
<b>AiP74HC4052</b>							
propagation delay	$t_{pd}$	$V_{is}$ to $V_{os}$ ; $R_L = \infty \Omega$ ; see Figure 9 <sup>[2]</sup>	$V_{CC} = 4.5\text{ V}$ ; $V_{EE} = 0\text{ V}$	-	5	15	ns
			$V_{CC} = 6.0\text{ V}$ ; $V_{EE} = 0\text{ V}$	-	4	13	ns
			$V_{CC} = 4.5\text{ V}$ ; $V_{EE} = -4.5\text{ V}$	-	4	10	ns
turn-on time	$t_{on}$	$\bar{E}$ , Sn to $V_{os}$ ; $R_L = \infty \Omega$ ; see Figure 10 <sup>[3]</sup>	$V_{CC} = 4.5\text{ V}$ ; $V_{EE} = 0\text{ V}$	-	38	81	ns
			$V_{CC} = 5.0\text{ V}$ ; $V_{EE} = 0\text{ V}$ ; $C_L = 15\text{ pF}$	-	28	-	ns
			$V_{CC} = 6.0\text{ V}$ ; $V_{EE} = 0\text{ V}$	-	30	69	ns
			$V_{CC} = 4.5\text{ V}$ ; $V_{EE} = -4.5\text{ V}$	-	26	58	ns
turn-off time	$t_{off}$	$\bar{E}$ , Sn to $V_{os}$ ; $R_L = 1\text{ k}\Omega$ ; see Figure 10 <sup>[4]</sup>	$V_{CC} = 4.5\text{ V}$ ; $V_{EE} = 0\text{ V}$	-	27	63	ns
			$V_{CC} = 5.0\text{ V}$ ; $V_{EE} = 0\text{ V}$ ; $C_L = 15\text{ pF}$	-	21	-	ns
			$V_{CC} = 6.0\text{ V}$ ; $V_{EE} = 0\text{ V}$	-	22	54	ns
			$V_{CC} = 4.5\text{ V}$ ; $V_{EE} = -4.5\text{ V}$	-	22	48	ns
power dissipation capacitance	$C_{PD}$	per switch; $V_I = GND$ to $V_{CC}$ <sup>[5]</sup>	-	57	-	pF	
<b>AiP74HCT4052</b>							
propagation delay	$t_{pd}$	$V_{is}$ to $V_{os}$ ; $R_L = \infty \Omega$ ; see Figure 9 <sup>[2]</sup>	$V_{CC} = 4.5\text{ V}$ ; $V_{EE} = 0\text{ V}$	-	5	15	ns
			$V_{CC} = 4.5\text{ V}$ ; $V_{EE} = -4.5\text{ V}$	-	4	10	ns
turn-on time	$t_{on}$	$\bar{E}$ , Sn to $V_{os}$ ; $R_L = 1\text{ k}\Omega$ ; see Figure 10 <sup>[3]</sup>	$V_{CC} = 4.5\text{ V}$ ; $V_{EE} = 0\text{ V}$	-	41	88	ns
			$V_{CC} = 5.0\text{ V}$ ; $V_{EE} = 0\text{ V}$ ; $C_L = 15\text{ pF}$	-	18	-	ns
			$V_{CC} = 4.5\text{ V}$ ; $V_{EE} = -4.5\text{ V}$	-	28	60	ns



turn-off time	$t_{off}$	$\bar{E}$ , Sn to $V_{os}$ ; $R_L = 1\text{ k}\Omega$ ; see Figure 10 <sup>[4]</sup>	$V_{CC} = 4.5\text{ V}$ ; $V_{EE} = 0\text{ V}$	-	26	63	ns
			$V_{CC} = 5.0\text{ V}$ ; $V_{EE} = 0\text{ V}$ ; $C_L = 15\text{ pF}$	-	13	-	ns
			$V_{CC} = 4.5\text{ V}$ ; $V_{EE} = -4.5\text{ V}$	-	21	48	ns
power dissipation capacitance	$C_{PD}$	per switch; $V_I = \text{GND to } V_{CC} - 1.5\text{ V}$ <sup>[5]</sup>	-	57	-	pF	

Note:

[1] All typical values are measured at  $T_{amb} = 25^\circ\text{C}$ .

[2]  $t_{pd}$  is the same as  $t_{PHL}$  and  $t_{PLH}$ .

[3]  $t_{on}$  is the same as  $t_{PZH}$  and  $t_{PZL}$ .

[4]  $t_{off}$  is the same as  $t_{PHZ}$  and  $t_{PLZ}$ .

[5]  $C_{PD}$  is used to determine the dynamic power dissipation ( $P_D$  in  $\mu\text{W}$ ).

$$P_D = C_{PD} \times V_{CC}^2 \times f_i \times N + \sum \{(C_L + C_{SW}) \times V_{CC}^2 \times f_o\} \text{ where:}$$

$f_i$  = input frequency in MHz;

$f_o$  = output frequency in MHz;

$N$  = number of inputs switching;

$\sum \{(C_L + C_{SW}) \times V_{CC}^2 \times f_o\}$  = sum of outputs;

$C_L$  = output load capacitance in pF;

$C_{SW}$  = switch capacitance in pF;

$V_{CC}$  = supply voltage in V.

[6] For test circuit see Figure 11.

[7]  $V_{is}$  is the input voltage at a nYn or nZ terminal, whichever is assigned as an input.

[8]  $V_{os}$  is the output voltage at a nYn or nZ terminal, whichever is assigned as an output.



### 3.3.4、AC Characteristics 2

( $T_{amb} = -40^{\circ}\text{C} \sim +125^{\circ}\text{C}$ ;  $\text{GND} = 0\text{ V}$ ;  $t_r = t_f = 6\text{ ns}$ ;  $C_L = 50\text{ pF}$ ; unless otherwise specified.)

Parameter	Symbol	Conditions	Min.	Typ. <sup>[1]</sup>	Max.	Unit	
<b>AiP74HC4052</b>							
propagation delay	$t_{pd}$	$V_{is}$ to $V_{os}$ ; $R_L = \infty\ \Omega$ ; see Figure 9 <sup>[2]</sup>	$V_{CC} = 4.5\text{ V}$ ; $V_{EE} = 0\text{ V}$	-	-	18	ns
			$V_{CC} = 6.0\text{ V}$ ; $V_{EE} = 0\text{ V}$	-	-	15	ns
			$V_{CC} = 4.5\text{ V}$ ; $V_{EE} = -4.5\text{ V}$	-	-	12	ns
turn-on time	$t_{on}$	$\bar{E}$ , Sn to $V_{os}$ ; $R_L = \infty\ \Omega$ ; see Figure 10 <sup>[3]</sup>	$V_{CC} = 4.5\text{ V}$ ; $V_{EE} = 0\text{ V}$	-	-	98	ns
			$V_{CC} = 6.0\text{ V}$ ; $V_{EE} = 0\text{ V}$	-	-	83	ns
			$V_{CC} = 4.5\text{ V}$ ; $V_{EE} = -4.5\text{ V}$	-	-	69	ns
turn-off time	$t_{off}$	$\bar{E}$ , Sn to $V_{os}$ ; $R_L = 1\text{ k}\Omega$ ; see Figure 10 <sup>[4]</sup>	$V_{CC} = 4.5\text{ V}$ ; $V_{EE} = 0\text{ V}$	-	-	75	ns
			$V_{CC} = 6.0\text{ V}$ ; $V_{EE} = 0\text{ V}$	-	-	64	ns
			$V_{CC} = 4.5\text{ V}$ ; $V_{EE} = -4.5\text{ V}$	-	-	57	ns
<b>AiP74HCT4052</b>							
propagation delay	$t_{pd}$	$V_{is}$ to $V_{os}$ ; $R_L = \infty\ \Omega$ ; see Figure 9 <sup>[2]</sup>	$V_{CC} = 4.5\text{ V}$ ; $V_{EE} = 0\text{ V}$	-	-	18	ns
			$V_{CC} = 4.5\text{ V}$ ; $V_{EE} = -4.5\text{ V}$	-	-	12	ns
turn-on time	$t_{on}$	$\bar{E}$ , Sn to $V_{os}$ ; $R_L = 1\text{ k}\Omega$ ; see Figure 10 <sup>[3]</sup>	$V_{CC} = 4.5\text{ V}$ ; $V_{EE} = 0\text{ V}$	-	-	105	ns
			$V_{CC} = 4.5\text{ V}$ ; $V_{EE} = -4.5\text{ V}$	-	-	72	ns
turn-off time	$t_{off}$	$\bar{E}$ , Sn to $V_{os}$ ; $R_L = 1\text{ k}\Omega$ ; see Figure 10 <sup>[4]</sup>	$V_{CC} = 4.5\text{ V}$ ; $V_{EE} = 0\text{ V}$	-	-	75	ns
			$V_{CC} = 4.5\text{ V}$ ; $V_{EE} = -4.5\text{ V}$	-	-	57	ns

Note:

[1] All typical values are measured at  $T_{amb} = 25^{\circ}\text{C}$ .

[2]  $t_{pd}$  is the same as  $t_{PHL}$  and  $t_{PLH}$ .

[3]  $t_{on}$  is the same as  $t_{PZH}$  and  $t_{PZL}$ .

[4]  $t_{off}$  is the same as  $t_{PHZ}$  and  $t_{PLZ}$ .

[5] For test circuit see Figure 11.

[6]  $V_{is}$  is the input voltage at a nYn or nZ terminal, whichever is assigned as an input.

[7]  $V_{os}$  is the output voltage at a nYn or nZ terminal, whichever is assigned as an output.





### 3.3.5、AC Characteristics 3

( $T_{amb} = 25^{\circ}\text{C}$ ;  $\text{GND} = 0\text{V}$ ;  $C_L = 50\text{pF}$ ; recommended conditions and typical values.)

Parameter	Symbol	Conditions	Min.	Typ.	Max.	Unit	
sine-wave distortion	$d_{sin}$	$f_i = 1\text{ kHz}$ ; $R_L = 10\text{ k}\Omega$ ; see Figure 12	$V_{is} = 4.0\text{ V (p-p)}$ ; $V_{CC} = 2.25\text{ V}$ ; $V_{EE} = -2.25\text{ V}$	-	0.04	-	%
			$V_{is} = 8.0\text{ V (p-p)}$ ; $V_{CC} = 4.5\text{ V}$ ; $V_{EE} = -4.5\text{ V}$	-	0.02	-	%
		$f_i = 10\text{ kHz}$ ; $R_L = 10\text{ k}\Omega$ ; see Figure 12	$V_{is} = 4.0\text{ V (p-p)}$ ; $V_{CC} = 2.25\text{ V}$ ; $V_{EE} = -2.25\text{ V}$	-	0.12	-	%
			$V_{is} = 8.0\text{ V (p-p)}$ ; $V_{CC} = 4.5\text{ V}$ ; $V_{EE} = -4.5\text{ V}$	-	0.06	-	%
isolation (OFF-state)	$\alpha_{iso}$	$R_L = 600\ \Omega$ ; $f_i = 1\text{ MHz}$ ; see Figure 13	$V_{CC} = 2.25\text{ V}$ ; <sup>[1]</sup> $V_{EE} = -2.25\text{ V}$	-	-50	-	dB
			$V_{CC} = 4.5\text{ V}$ ; <sup>[1]</sup> $V_{EE} = -4.5\text{ V}$	-	-50	-	dB
crosstalk	$X_{talk}$	between two switches/multiplexers; $R_L = 600\ \Omega$ ; $f_i = 1\text{ MHz}$ ; see Figure 14	$V_{CC} = 2.25\text{ V}$ ; <sup>[1]</sup> $V_{EE} = -2.25\text{ V}$	-	-60	-	dB
			$V_{CC} = 4.5\text{ V}$ ; <sup>[1]</sup> $V_{EE} = -4.5\text{ V}$	-	-60	-	dB
crosstalk voltage	$V_{ct}$	peak-to-peak value; between control and any switch; $R_L = 600\ \Omega$ ; $f_i = 1\text{ MHz}$ ; $\bar{E}$ or Sn square wave between $V_{CC}$ and GND; $t_r = t_f = 6\text{ ns}$ ; see Figure 15	$V_{CC} = 4.5\text{ V}$ ; $V_{EE} = 0\text{ V}$	-	110	-	mV
			$V_{CC} = 4.5\text{ V}$ ; $V_{EE} = -4.5\text{ V}$	-	220	-	mV
-3dB frequency response	$f_{(-3dB)}$	$R_L = 50\ \Omega$ ; see Figure 16	$V_{CC} = 2.25\text{ V}$ ; <sup>[2]</sup> $V_{EE} = -2.25\text{ V}$	-	170	-	MHz
			$V_{CC} = 4.5\text{ V}$ ; <sup>[2]</sup> $V_{EE} = -4.5\text{ V}$	-	180	-	MHz

Note:

[1] Adjust input voltage  $V_{is}$  to 0 dBm level (0 dBm = 1 mW into 600  $\Omega$ ).

[2] Adjust input voltage  $V_{is}$  to 0 dBm level at  $V_{os}$  for 1 MHz (0 dBm = 1 mW into 50  $\Omega$ ).

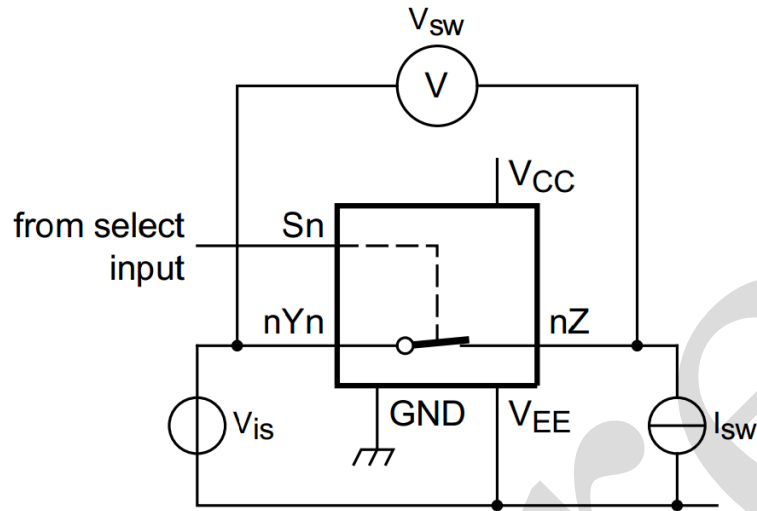
[3]  $V_{is}$  is the input voltage at a nYn or nZ terminal, whichever is assigned as an input.

[4]  $V_{os}$  is the output voltage at a nYn or nZ terminal, whichever is assigned as an output.



### 4、Testing Circuit

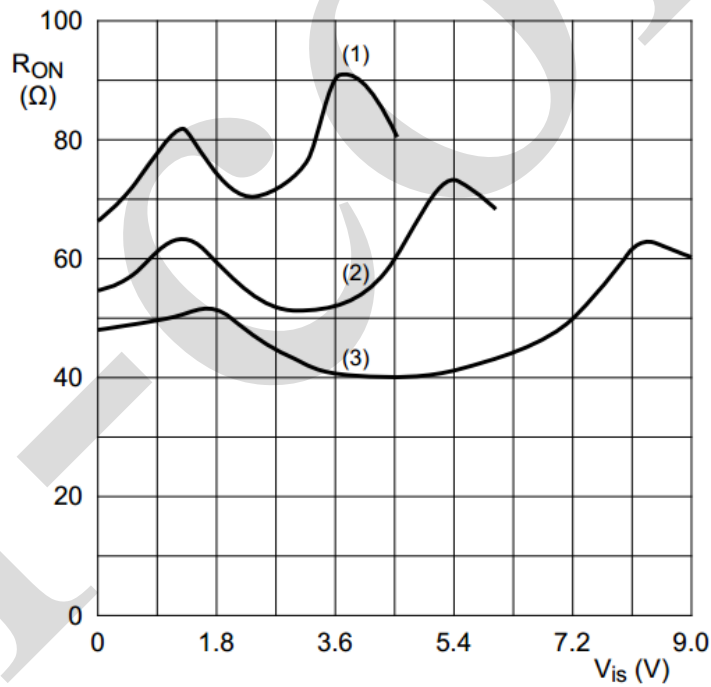
#### 4.1、DC Testing Circuit 1



$$V_{is} = 0V \text{ to } (V_{CC} - V_{EE})$$

$$R_{ON} = V_{sw} / I_{sw}$$

Figure 5. Test circuit for measuring  $R_{ON}$



$$V_{is} = 0V \text{ to } (V_{CC} - V_{EE})$$

$$(1) V_{CC} = 4.5V$$

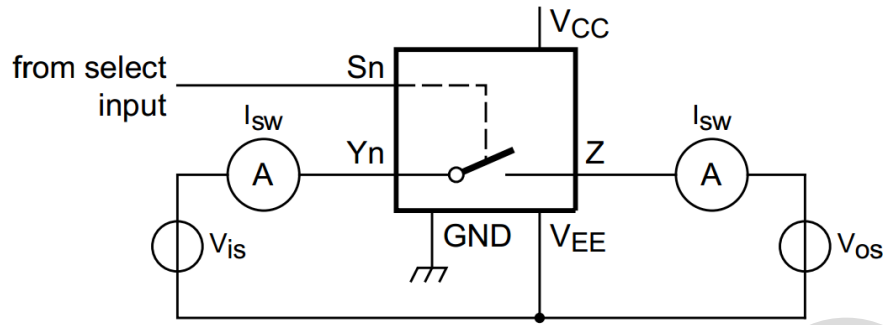
$$(2) V_{CC} = 6V$$

$$(3) V_{CC} = 9V$$

Figure 6. Typical  $R_{ON}$  as a function of input voltage  $V_{is}$



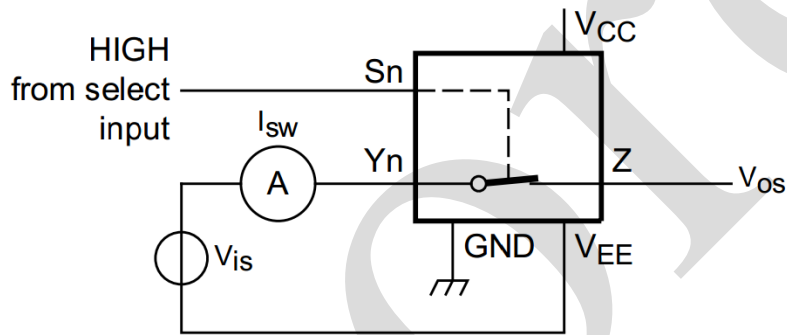
## 4.2、DC Testing Circuit 2



$$V_{is} = V_{CC} \text{ and } V_{os} = V_{EE}.$$

$$V_{is} = V_{EE} \text{ and } V_{os} = V_{CC}.$$

Figure 7. Test circuit for measuring OFF-state current



$$V_{is} = V_{CC} \text{ and } V_{os} = \text{open-circuit}.$$

$$V_{is} = V_{EE} \text{ and } V_{os} = \text{open-circuit}.$$

Figure 8. Test circuit for measuring ON-state current

## 4.3、AC Testing Waveforms

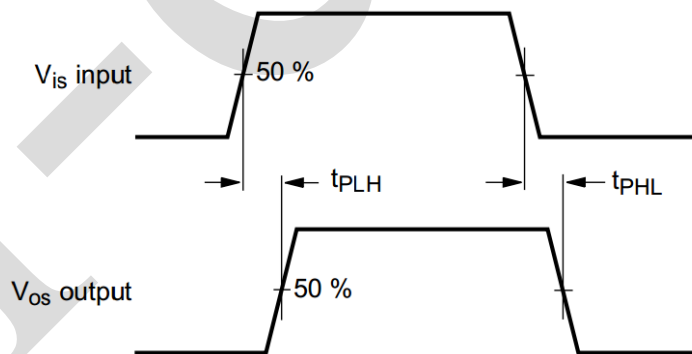


Figure 9. Input ( $V_{is}$ ) to output ( $V_{os}$ ) propagation delays

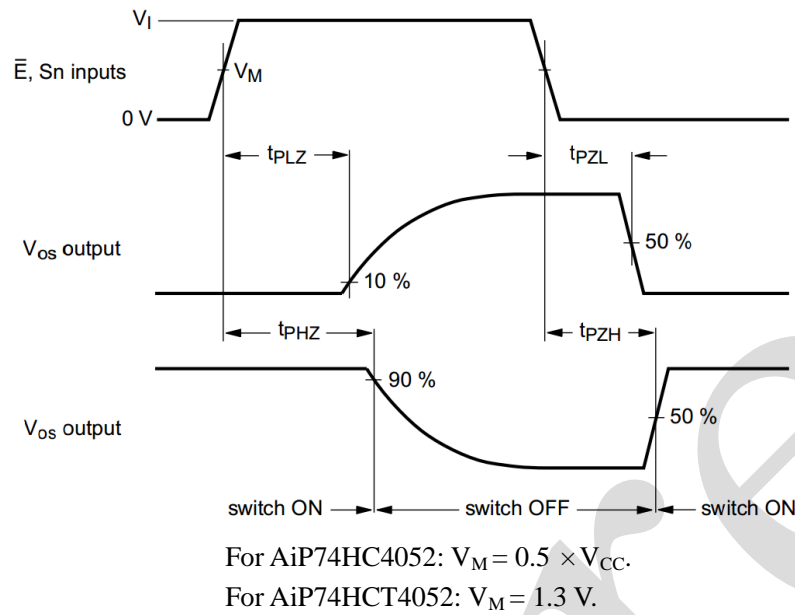


Figure 10. Turn-on and turn-off times

### 4.4. AC Testing Circuit 1

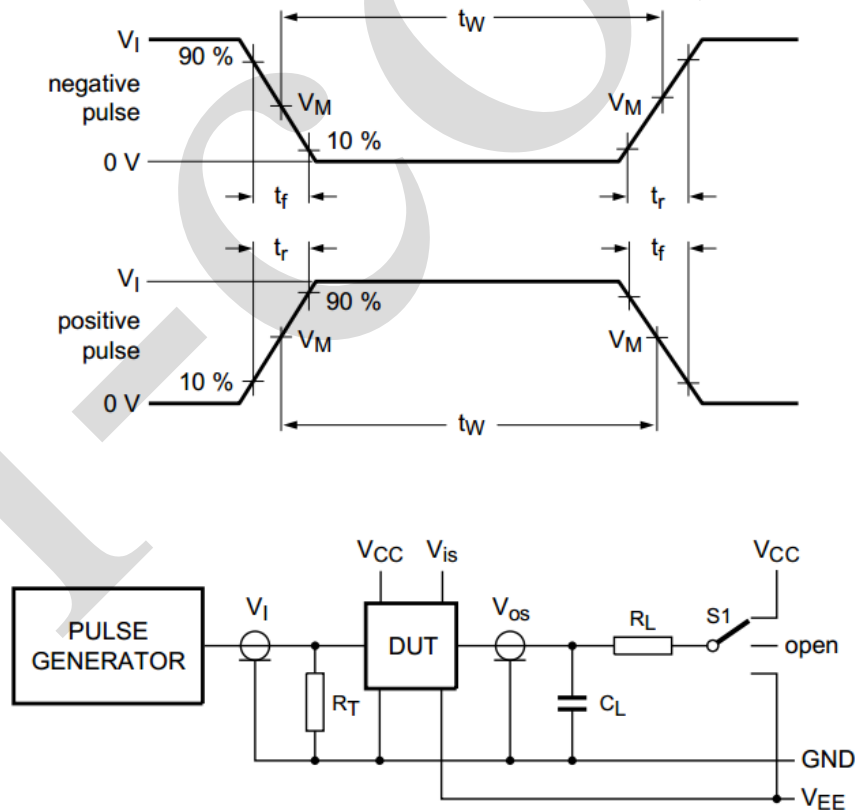


Figure 11. Test circuit for measuring switching times

Definitions for test circuit:

$R_T$  = termination resistance should be equal to the output impedance  $Z_O$  of the pulse generator.



$C_L$  = load capacitance including jig and probe capacitance.

$R_L$  = load resistance.

S1 = Test selection switch.

## 4.5、 Test Data

Test	Input				Load		S1 position
	$V_I$	$V_{is}$	$t_r, t_f$		$C_L$	$R_L$	
			at $f_{max}$	other <sup>[1]</sup>			
$t_{PHL}, t_{PLH}$	[2]	pulse	< 2ns	6ns	50pF	1k $\Omega$	open
$t_{PZH}, t_{PHZ}$	[2]	$V_{CC}$	< 2ns	6ns	50pF	1k $\Omega$	$V_{EE}$
$t_{PZL}, t_{PLZ}$	[2]	$V_{EE}$	< 2ns	6ns	50pF	1k $\Omega$	$V_{CC}$

Note:

[1]  $t_r = t_f = 6$  ns; when measuring  $f_{max}$ , there is no constraint to  $t_r$  and  $t_f$  with 50 % duty factor.

[2]  $V_I$  values:

For AiP74HC4052:  $V_I = V_{CC}$ .

For AiP74HCT4052:  $V_I = 3V$ .

## 4.6、 AC Testing Circuit 2

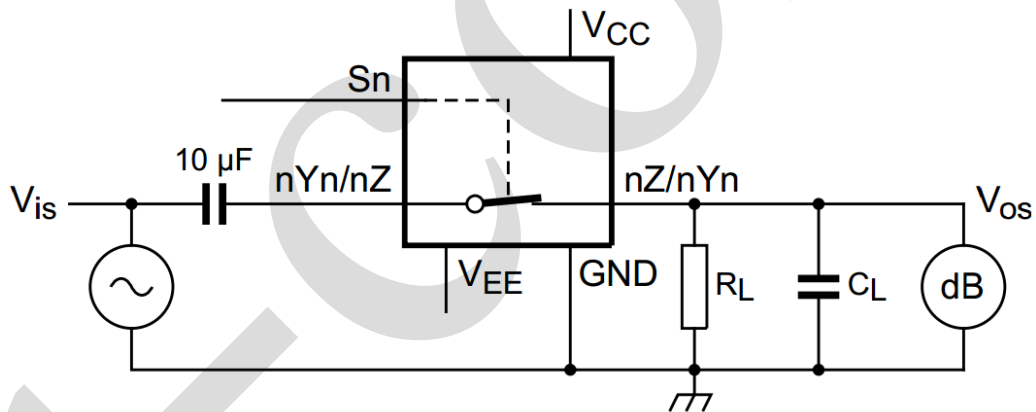
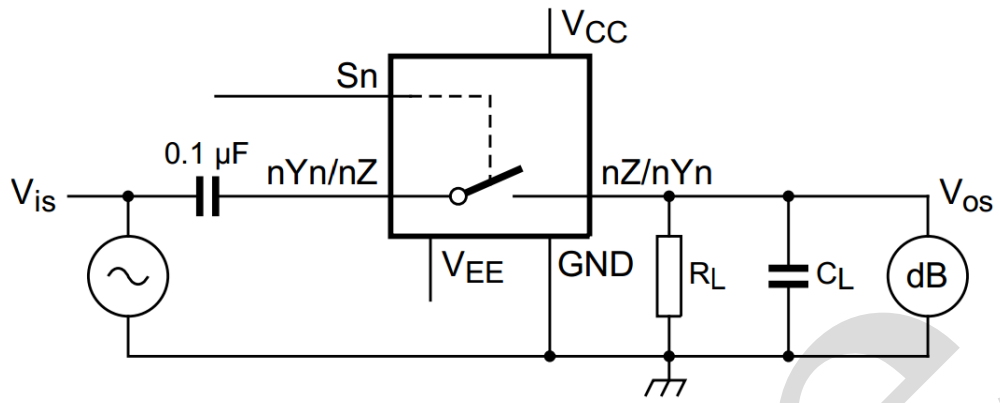
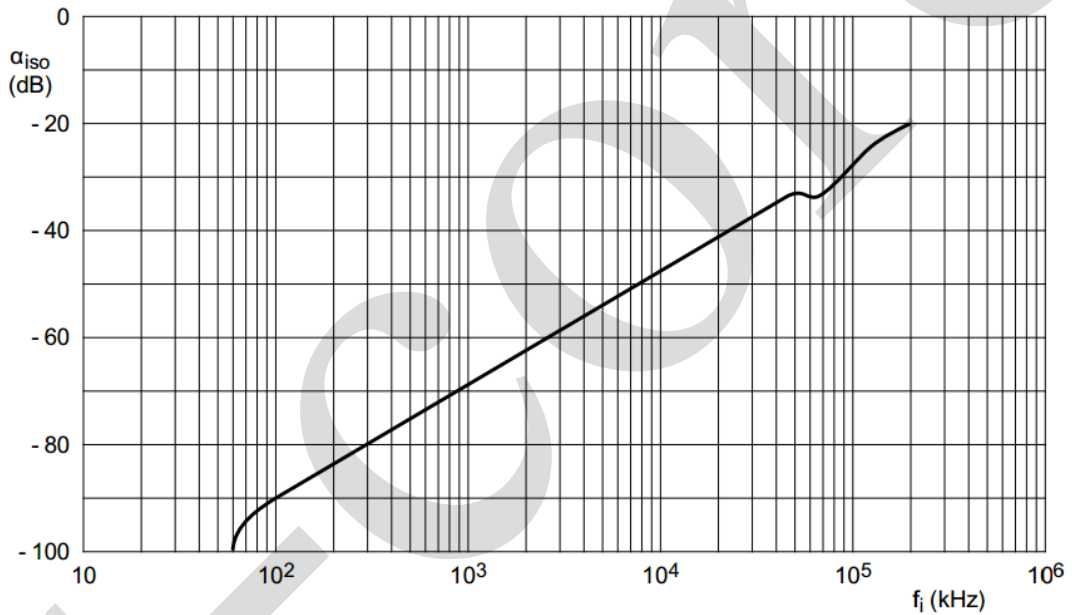


Figure 12. Test circuit for measuring sine-wave distortion



$V_{CC} = 4.5 \text{ V}; \text{GND} = 0 \text{ V}; V_{EE} = -4.5 \text{ V}; R_L = 600 \Omega; R_S = 1 \text{ k}\Omega.$

a. Test circuit



b. Isolation (OFF-state) as a function of frequency

Figure 13. Test circuit for measuring isolation (OFF-state)

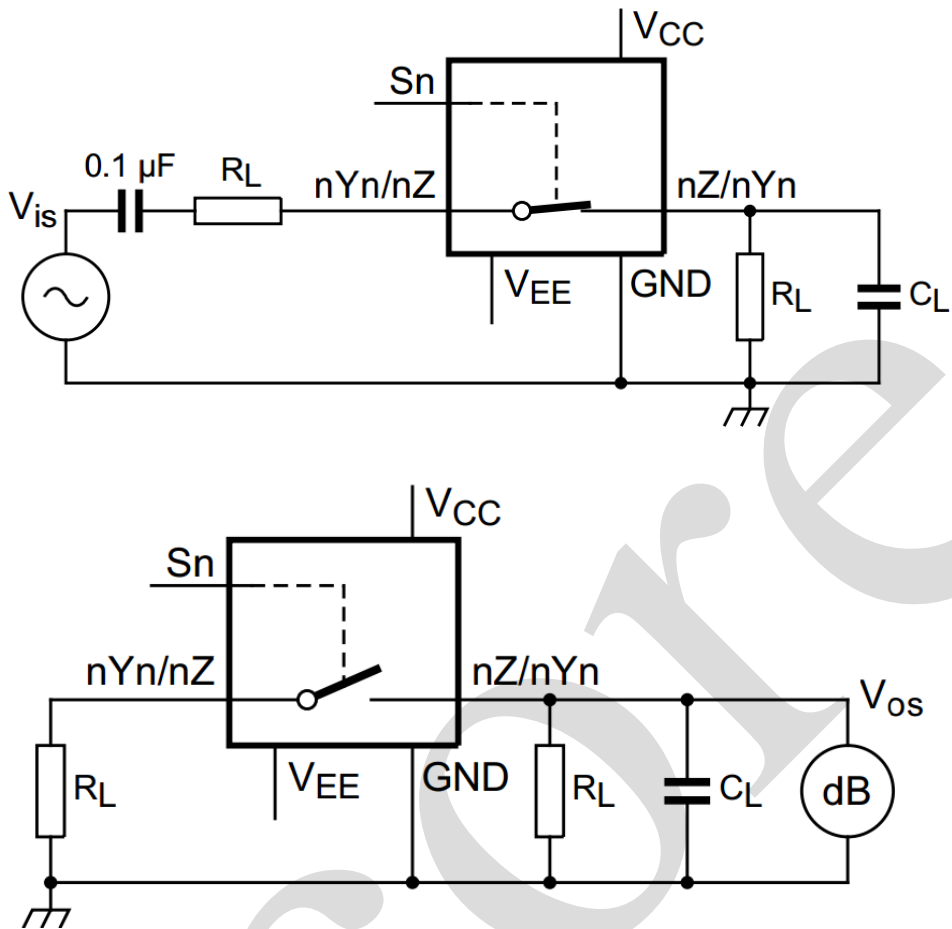


Figure 14. Test circuits for measuring crosstalk between any two switches/multiplexers

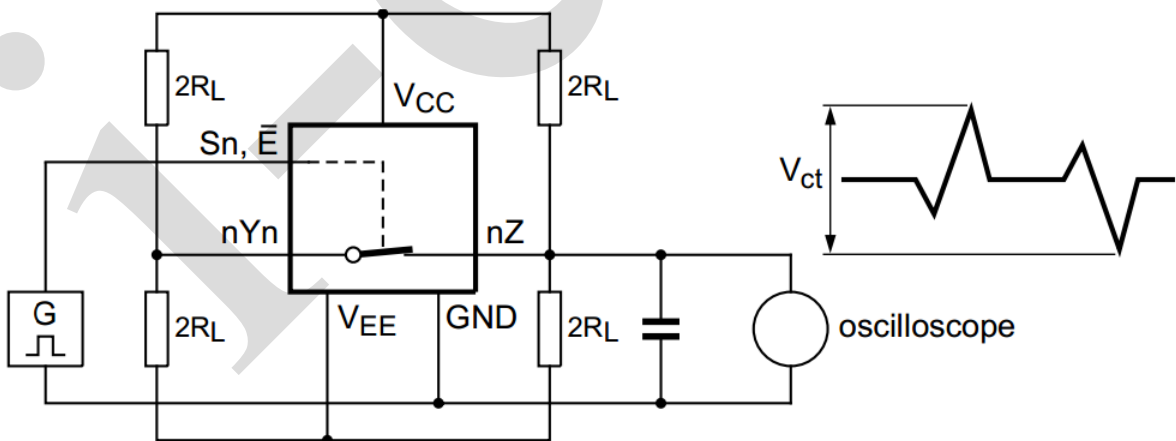
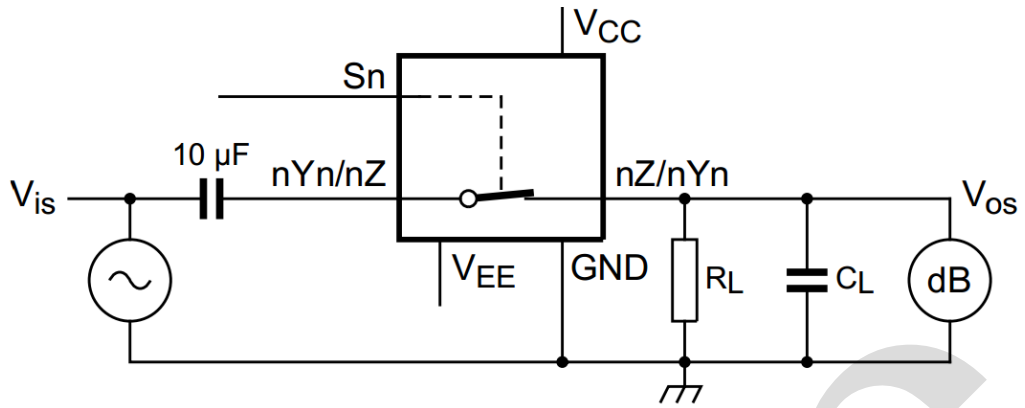
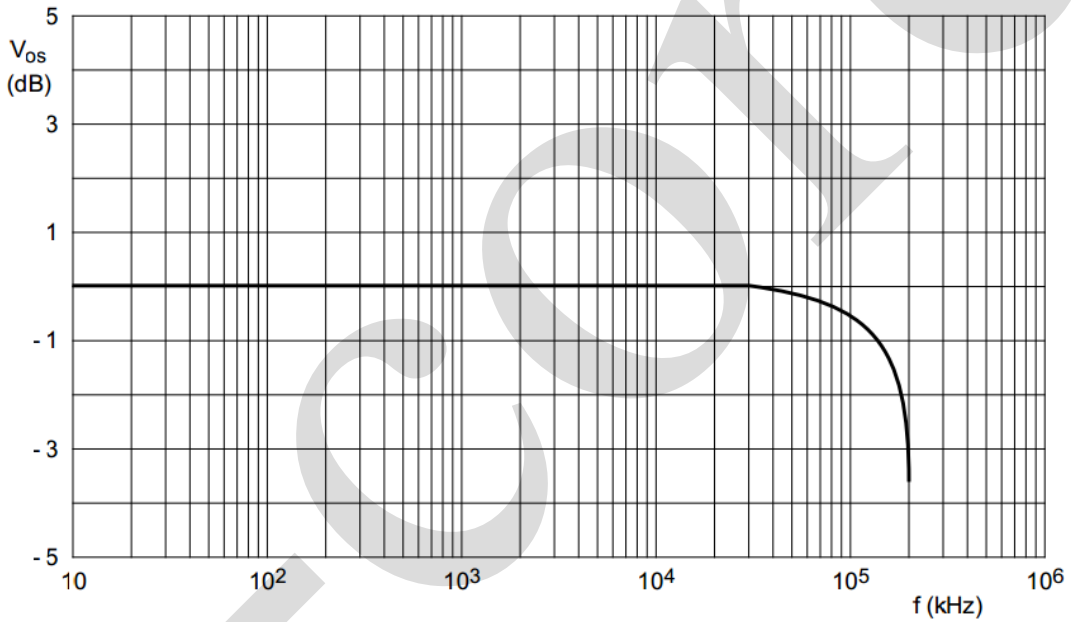


Figure 15. Test circuit for measuring crosstalk between control input and any switch



$V_{CC} = 4.5 \text{ V}; GND = 0 \text{ V}; V_{EE} = -4.5 \text{ V}; R_L = 50 \Omega; R_S = 1 \text{ k}\Omega$

a. Test circuit



b. Typical frequency response

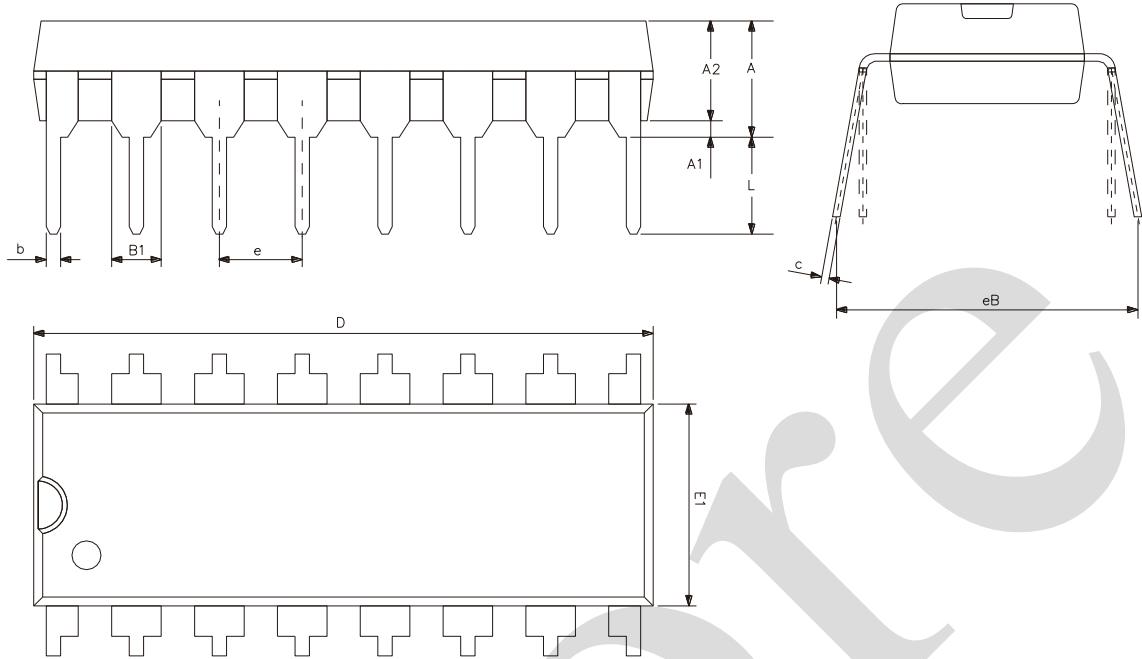
Figure 16. Test circuit for frequency response





### 5、 Package Information

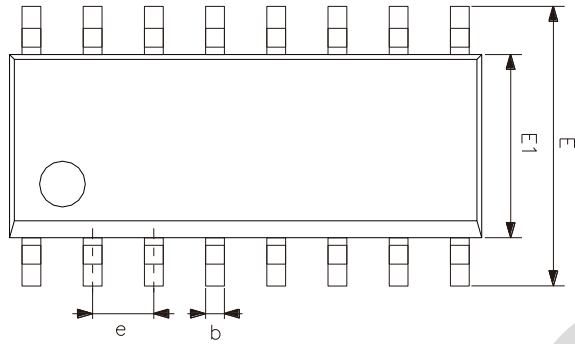
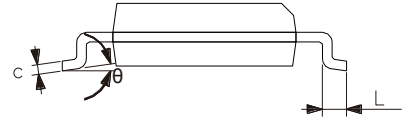
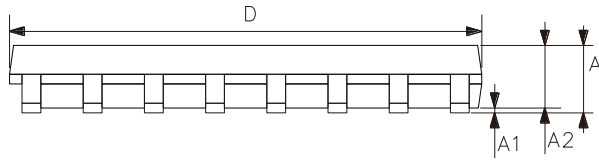
#### 5.1、 DIP16



Symbol	Dimensions (mm)	
	Min.	Max.
A2	3.20	3.60
A1	0.51	-
A	3.60	5.33
L	3.00	3.60
b	0.36	0.56
B1	1.52	
D	18.80	19.94
E1	6.20	6.60
e	2.54	
c	0.20	0.36
eB	7.62	9.30



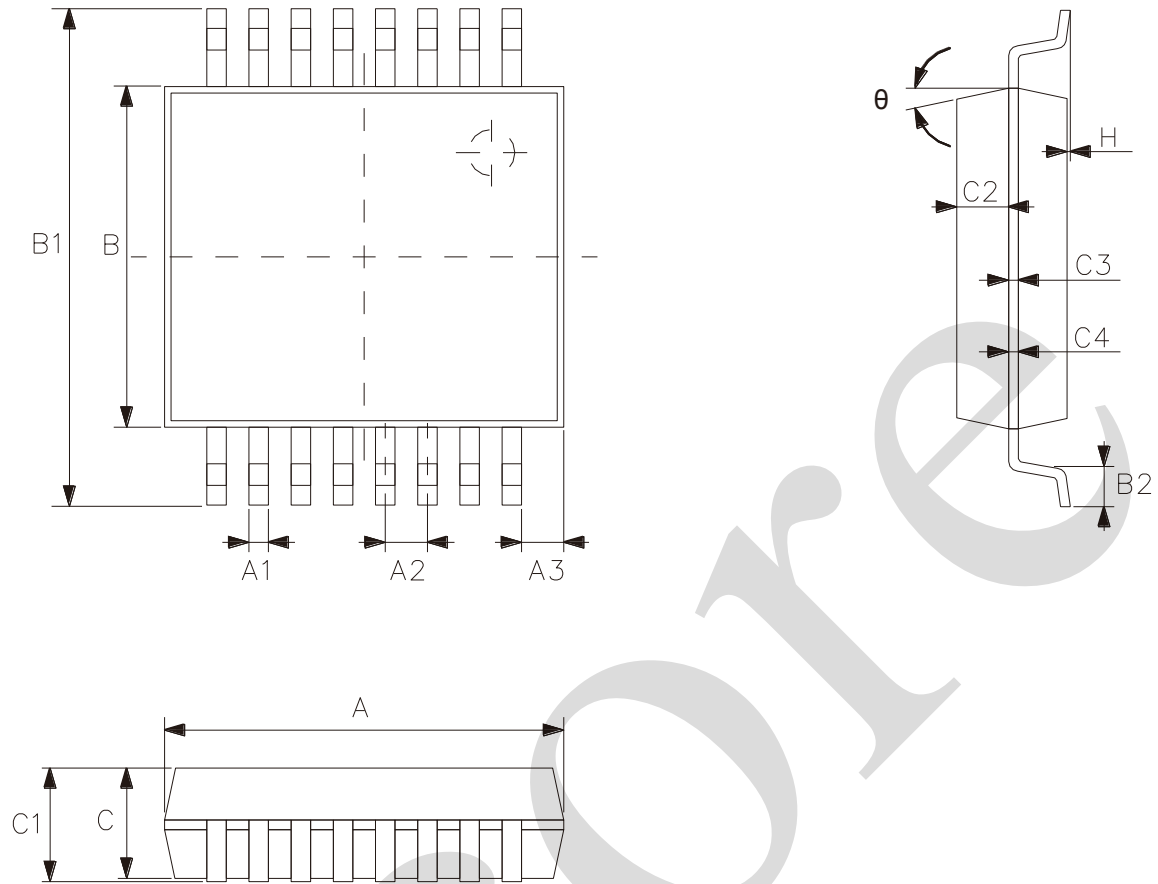
## 5.2、SOP16



Symbol	Dimensions (mm)	
	Min.	Max.
A	1.35	1.80
A1	0.10	0.25
A2	1.25	1.55
b	0.33	0.51
c	0.19	0.25
D	9.50	10.10
E	5.80	6.30
E1	3.70	4.10
e	1.27	
L	0.35	0.89
$\theta$	0°	8°



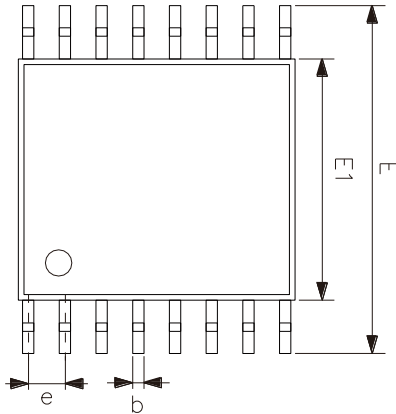
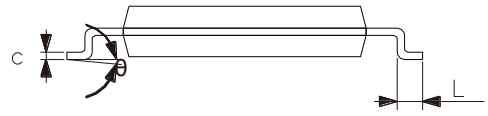
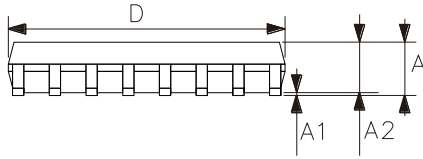
## 5.3、SSOP16



Symbol	Dimensions (mm)	
	Min.	Max.
A	6.15	6.25
A1	0.30	
A2	0.65	
A3	0.675	
B	5.25	5.35
B1	7.65	7.95
B2	0.60	0.80
C	1.70	1.80
C1	1.75	1.95
C2	0.80	
C3	0.15	
C4	0.17	
H	0.05	0.15
θ	0°	8°



## 5.4. TSSOP16



Symbol	Dimensions (mm)	
	Min.	Max.
A	-	1.20
A1	0.05	0.15
A2	0.80	1.05
b	0.19	0.30
c	0.09	0.20
D	4.90	5.10
E1	4.30	4.50
E	6.20	6.60
e	0.65	
L	0.45	0.75
$\theta$	0°	8°



## 6、 Statements And Notes

### 6.1、 The name and content of Hazardous substances or Elements in the product

Part name	Hazardous substances or Elements									
	Lead and lead compounds	Mercury and mercury compounds	Cadmium and cadmium compounds	Hexavalent chromium compounds	Polybrominated biphenyls	Polybrominated biphenyl ethers	Dibutyl phthalate	Butylbenzyl phthalate	Di-2-ethylhexyl phthalate	Diisobutyl phthalate
Lead frame	○	○	○	○	○	○	○	○	○	○
Plastic resin	○	○	○	○	○	○	○	○	○	○
Chip	○	○	○	○	○	○	○	○	○	○
The lead	○	○	○	○	○	○	○	○	○	○
Plastic sheet installed	○	○	○	○	○	○	○	○	○	○
explanation	○: Indicates that the content of hazardous substances or elements in the detection limit of the following the SJ/T11363-2006 standard. ×: Indicates that the content of hazardous substances or elements exceeding the SJ/T11363-2006 Standard limit requirements.									

### 6.2、 Notes

We Recommend you to read this chapter carefully before using this product.

The information in this chapter is provided for reference only and i-Core disclaims any express or implied warranties, including but not limited to applicability, special application or non-infringement of third party rights.

This product is not suitable for critical equipment such as life-saving, life-sustaining or safety equipment. It is also not suitable for applications that may result in personal injury, death, or serious property or environmental damage due to product malfunction or failure. I-Core will not be liable for any damages incurred by the customers at their own risk for such applications.

The customer is responsible for conducting all necessary tests i-Core's application to avoid failure in the application or the application of the customer's third party users. I-Core does not accept any liability.

The Company reserves the right to change or improve the information published in this chapter at any time. The information in this chapter are subject to change without notice. We recommend the customer to consult our sales staff before purchasing.

Please obtain related materials form i-Core's regular channels and we are not responsible for its content if it is provided by sources other than our company.

In case of any conflict between the Chinese and English version, the version is subject to the Chinese one.